

Technical sheet :

200 ATJ E

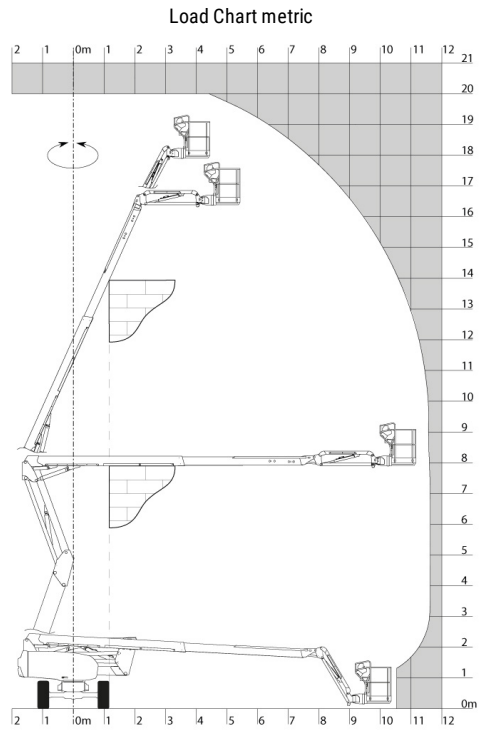
OXYGEN
by **MANITOU**



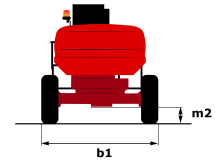
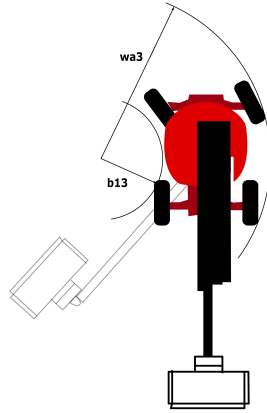
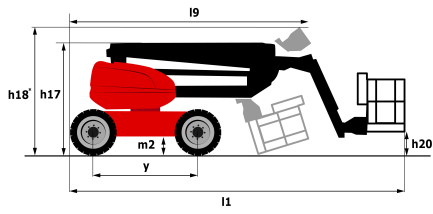
Capacities		Metric
Working height	h21	20 m
Platform height	h7	18 m
Max. outreach	r1	11.57 m
Overhang	h31	7.9 m
Pendular arm rotation (top / bottom)		+65 ° / -60 °
Platform capacity	Q	230 kg
Turret rotation		350 °
Platform rotation (right / left)		90 ° / 90 °
Number of people (inside / outside)		2 / 2
Weight and dimensions		
Platform weight*		7100 kg
Platform dimensions (length x width)	lp / ep	1.5 m x 0.75 m
Overall width	b1	2.32 m
Overall length	l1	8.34 m
Overall height	h17	2.46 m
Overall length (stowed)	l9	6.06 m
Overall height (stowed)	h18	2.71 m
Floor height (access)	h20	0.4 m
Counterweight offset (turret at 90°)	a7	0.64 m
Internal turning radius (over tyres)	b13	2.42 m
External turning radius	Wa3	5.31 m
Ground clearance at centre of wheelbase	m2	0.38 m
Wheelbase	y	2.3 m
Performances		
Drive speed - stowed		5.3 km/h
Drive speed - raised		0.7 km/h
Gradeability		45 %
Permissible leveling		4 °
Wheels		
Tyres type		Solid non-marking tires
Drive wheels (front / rear)		2 / 2
Steering wheels (front / rear)		2 / 0
Braking wheels (front / rear)		0 / 2
Engine/Battery		
Battery / Batteries capacity		48 V / 460 Ah
Integrated charger (V / Ah)		48 V / 60 Ah
Miscellaneous		
Ground Pressure		10.9 daN/cm ²
Hydraulic Pressure		240 Bar
Hydraulic tank capacity		25 l
Standards compliance		
This machine is in compliance with:		European directives: 2006/42/EC- Machinery (revised EN280:2013) - 2004/108/EC (EMC) - 2006/95/EC (Low voltage)

*Varies according to options and standards of the country to which the machine is delivered

Load chart



Dimensional drawing



Equipment

Standard

230V Predisposition

4 simultaneous movements

4 wheel drive

Audible alarm and illuminated indicator lamp (leveling, overload, lowering)

Backup electrical pump

Biodegradable oil

CAN bus technology

Centralized recharging of battery

Dead man pedal

Differential locking on rear axle

Easy Manager

Emergency stop button in platform and on frame

Flat Led Rotating Beacon

Fully galvanized basket with demountable floor

Integrated diagnostic assistance

Large color screen on turret

Lead acid batteries

Multi-voltage integrated charger

Non-marking tyres

Oscillating front axle

Protective cover for control panel

Screen information in the basket

Simplified lift system

Tool box in platform

Travel possible at maximum height

Two electric motors of 8.5kW and 16kW

Optional

110 or 230V plug with differential circuit breaker

Access control keypad for easy link

Air predisposition

Beep on every movement

Beep upon travel

Biodegradable oil

Coded anti-start

Easy link with remote lock

Fully galvanized basket 1500mm with lateral door

Fully galvanized basket 1800mm with lateral door

Galvanized basket 1,800 mm

Hydraulic oil heater

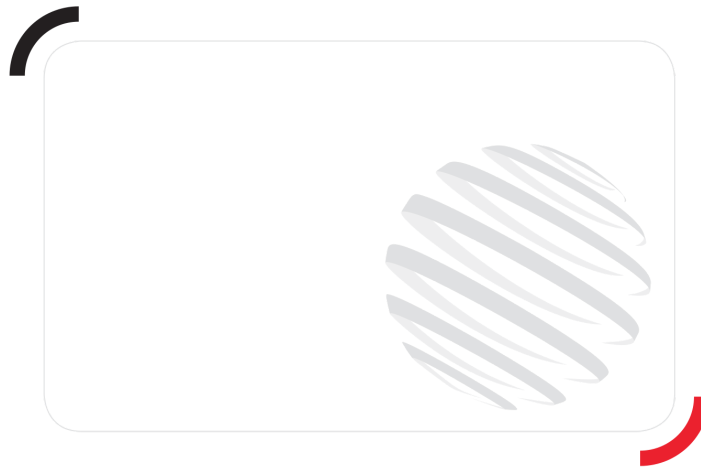
SPS : Secondary protection system

Safety kit (Harness + helmet)

Turret cover with key lock

Water predisposition

Working headlight in platform



Siège Social

430 rue de l'Aubinière - 44150 Ancenis Cedex - France

Tel: +33(0)2 40 09 10 11 - Fax: +33 (0)2 40 09 10 97

www.manitou.com



This brochure describes versions and configuration options for Manitou products which may be fitted with different equipment. The equipment described in this brochure may be standard, optional or not available depending on version. Manitou reserves the right to change the specifications shown and described at any time and without prior warning. The manufacturer is not liable for the specifications given. For more information, contact your Manitou dealer. Non-contractual document. Product descriptions may differ from actual products. List of specifications is not comprehensive. The logos and visual identity of the company are the property of Manitou and may not be used without authorisation. All rights reserved. The photos and diagrams contained in this brochure are provided for information only.

MANITOU BF SA - Limited company with board of directors - Share capital: 39,668,399 euros - 857 802 508 RCS Nantes