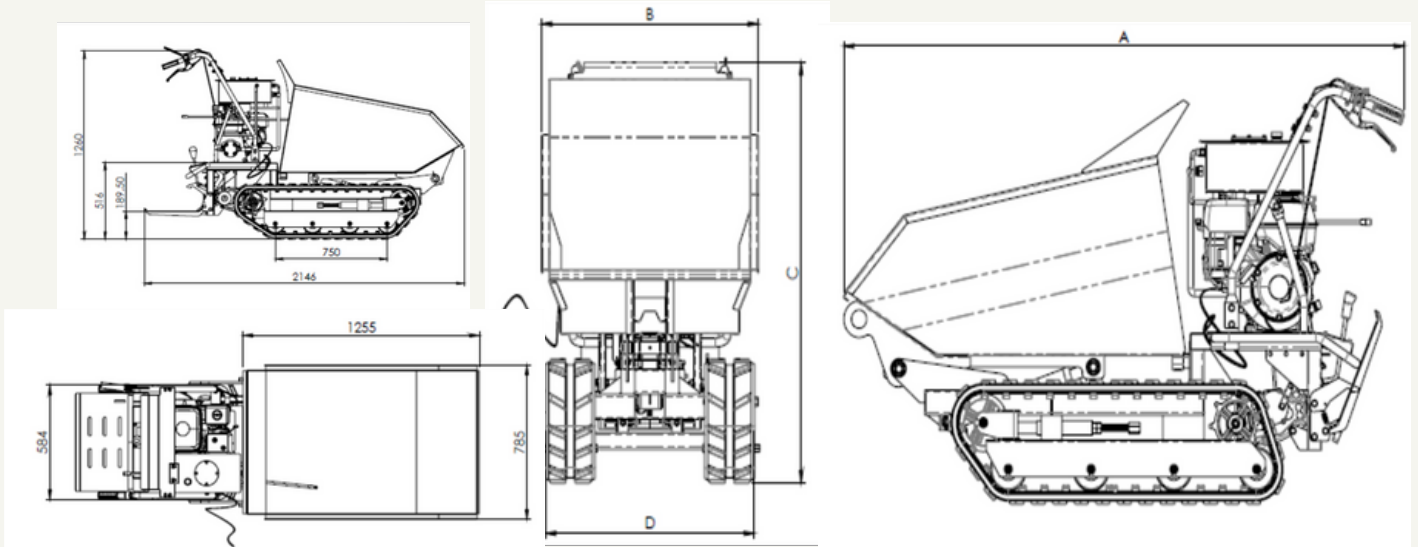




OPERATING MANUAL



Model		Foison MD500			
Machine Weight	kg	326			
Maximum Payload	kg	500			
Dimensions	A - Overall Length	mm	2032		
	B - Overall Width	mm	785		
	C - Overall Height	mm	1260		
	D - Overall Rubber Track Width	mm	757		
	Bucket Size	(W x L x H) mm	785 X 1285 X 788		
	Ground Clearance	mm	192		
	Step Height	mm	190		
	Model	-	VWM 9.0	GX 270	
	Engine Type	-	Vibtech V-Power VWM 9.0 (9.0HP)	OHV single-cylinder, 4 stroke (8.4HP)	
	Displacement	cc	270		
Engine	Compression Ratio	-	8.5 : 1		
	Max Revolutions per minute	rpm	3600		
	Torque	-	19.1 Nm/1.94 kgfm/2500 rpm		
	Fuel Tank Capacity	litre	5.3 liters		
	Fuel Consumption	-	2.4 lt/h @ 3600 rpm	2.5 lt/h @ 3600 rpm	
	Performance	Speed	Forward 1	km/h	2
			Forward 2	km/h	3
Forward 3			km/h	5	
Reverse			km/h	2	

Model		Foison MD500		
Drive Train	Clutch	-	Driven Pulley	
	Steering Mechanism	-	Lever	
	Track Width	mm	178	
	Transmission Oil Capacity	litre	12	
	Gearbox Shift Position	-	3F, 1R	
Hydraulic System	Hydraulic Pump	Type	-	Gear Pump
		Max Speed	rpm	3000
		Working Pressure Max	kg/cm ² (psi)	210 (3000)
	Hydraulic Fluid Capacity	litre	8	
	Tipping Cylinder Bore Size	mm	55 x 35	

