

**OUR HEAD OFFICE AND PLANT ARE CERTIFIED  
TO BOTH ISO 9001 AND ISO 14001.**

**Niigata plant:**

Shimo Aozu, Tsubame-city, Niigata-prefecture, Japan.



**ISO9001 : JQA-0581  
ISO14001 : JQA-EM4670**

**SAFETY**

- Operate safely in accordance with operation manual.
- To prevent trouble and accidents, perform daily and preventive maintenance checks without fail.

**AIRMAN®**

**HOKUETSU INDUSTRIES CO., LTD.**

8th Floor Shinjuku San-Ei Bldg,  
22-2 Nishi-Shinjuku 1-Chome, Shinjuku-ku, Tokyo 160-0023 Japan  
Tel: 81-3-3348-7281 Fax: 81-3-3348-7289  
E-mail: [airman.oversea@airman.co.jp](mailto:airman.oversea@airman.co.jp)  
<https://www.airman.co.jp>

**AIRMAN ASIA SDN. BHD.**

Suite A-8-2, level 8, Block A, Sky Park @ One City,  
Jalan USJ 25/1, 47650 Subang Jaya, Selangor, Malaysia  
Tel: 60-3-5036-7228 Fax: 60-3-5036-7226  
E-mail: [sales@airman-asia.com](mailto:sales@airman-asia.com)

**HOKUETSU INDUSTRIES EUROPE B.V.**

Aalsmeerderdijk 156, 1438 AX Oude Meer, The Netherlands  
Tel: 31-20-6462636 Fax: 31-20-6462191  
E-mail: [info@hokuetsu.nl](mailto:info@hokuetsu.nl)

**AIRMAN USA CORPORATION**

95 International PKWY, Suite 100, Adairsville, GA 30103  
Tel: 1-678-800-7070 Fax: 1-770-769-4335



DISTRIBUTOR :

**Engine Compressor**  
For GBⅢ/Tier3/JPN Stage 3

**AIRMAN®**

# ENGINE COMPRESSOR

## PDS series

Portable Diesel Screw



PDS100LC



PDS600S/F550S

**HOKUETSU INDUSTRIES CO., LTD.**

# CHALLENGE TO THE NEW ERA

Engine Compressor **PDS** Series



## Discharged air pressure

### Standard Pressure PDS

Standard AIRMANN engine compressor. Highly durable with excellent fuel efficiency.



### High Pressure PDSF/G/H/J/K

AIRMANN high-pressure series, providing powerful air pressure.



### Variable Pressure PDS-VR/DP

AIRMANN variable pressure series performs many roles, providing for both standard and high pressure needs.



## Air Quality

### Standard PDS

Standard AIRMANN engine compressor. Oil is separated in consideration of the environment.



### After-Cooler PDS-C

Compressed air is cooled to remove moisture. Discharged air only contains a very small amount of moisture.



### Dry-Air PDS-D

Provides dry air with low humidity. It is safe even during rainy and humid days.



## Bonnet

### Box

Box-shaped and stackable, taking up very little storage space.



### Leak-Guard

When fuel or oil leaks, the oil fence prevents leakage to the outside as much as possible.



### Trailer

With a trailer, the device is easy to move.



## MODEL LINEUP

We have a wide range of compressor models that you can choose from to suit your needs.

		Model [Free air delivery (CFM)]									
		65	80	100	130	140	185	265	390	670	
Standard Pressure	Air Quality										
	Bonnet										
	Box										
	Leak-Guard										
	Trailer										
	After Cooler										
	Box										
	Leak-Guard										
	Trailer										
	Dry-Air										
Box											
Trailer											

		Model [Free air delivery (CFM)]														
		F80	F100	F140	F210	F315	F550	F1000	G290	G750	G900	G1400	J850	J1100	J1550	K930
High pressure - Variable pressure specifications	Air Quality															
	Bonnet															
	Box															
	Leak-Guard															
	Trailer															
	After Cooler															
	Box															
	Leak-Guard															
	Trailer															
	Dry-Air															
Leak-Guard																
Trailer																

Eco-friendly integrated oil fence.  
「Leak-Guard」

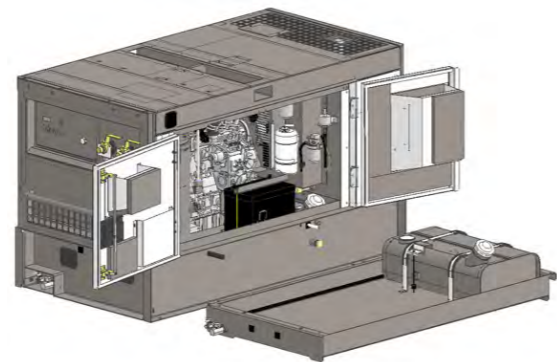
Oil fences are incorporated for the first time in the industry. Equipped with high-efficiency AS rotors that achieve increased air volume and low fuel consumption.

Applicable models

PDS65L	After-Cooler PDS65LC	PDS80L	After-Cooler PDS80LC	PDS100L	After-Cooler PDS100LC
PDS140L	After-Cooler PDS140LC	PDS185S	After-Cooler PDS185SC		
Variable pressure specifications PDSG290LVR<P.18>		Variable pressure specifications / After-Cooler PDSG290LVRC<P.18>		Variable pressure specifications / Dry-Air PDSG290LVRD<P.18>	
Dual Pressure specifications PDSG1400LDP<P.17>		Variable pressure specifications PDSG1400LVR<P.18>		Dual Pressure specifications PDSK930LDP<P.17>	

**PDS 100 L C - 5 C5**

- ① Portable Diesel Screw
- ② Free air delivery (CFM) 1m<sup>3</sup>/min=35CFM
- ③ Bonnet type L: Leak-Guard
- ④ Pressure control  
S : Single pressure DP : 2 stage pressure switching VR : Continuous variable control  
※PDS185S/SC-7C5 only
- ⑤ Special specification  
C : After-Cooler
- ⑥ Class number  
5 : BOX 7 : Oil fence  
※PDS185S/SC-7C5 only



Oil fence

In case fuel, oil or cooling water leaks on the frame, the oil fence prevents the leakage from flowing outside.

※It does not guarantee to prevent all oil leaks.

Eco-friendly functions and easy maintenance

A built-in drain tank (After-Cooler)

(PDS80LC/PDS100LC/PDS140LC)

A built-in After-cooler drain tank that does not discharge to the outside. The tank is easily detachable for easy disposal of drain water.



PDS100LC

Hoses to discharge oil

(PDS185S/185SC)

A hose is equipped to make it easy to discharge engine oil.



ECO mode / AUTO ECO mode

(PDS100L/100LC)

Equipped with [ECO] and [ECO AUTO] switches. Changes unload rpm dependent on application, saving on fuel consumption.

A structure without central pillars

(PDS80L/80LC/100L/100LC/PDS140L/PDS140LC)

No interior, central pillar for easier access to maintenance items.



Leak-Guard PDS series



		PDS65L-5C5	PDS65LC-5C5 After-Cooler	PDS80L-5C5	PDS80LC-5C5 After-Cooler	PDS100L-5C5	PDS100LC-5C5 After-Cooler
COMPRESSOR	Type	Rotary Twin Screw, Single-Stage, Oil-cooled					
	Free air delivery	1.84		2.3		2.8	
	Rated operating pressure	0.7[7.14][102]					
	Compressor capacity	7.0		8.0		9.0	
	Air outlet valve	3/4"×1, Air Chuck 3/8"×1		3/4"×2			
ENGINE	Make/Model	KUBOTA D722-K3A		KUBOTA D902-K3A		KUBOTA D1105-K3B	
	Type	Swirl Chamber					
	Rated output	14.1 (19.2) /3,600		17.0 (23.1) /3,600		19.2 (26.1) /3,400	
	Engine oil capacity	3.8		3.7		4.5	
	Fuel tank capacity	18				33	
DIMENSION & WEIGHT	Battery	55B24R×1				85D26R×1	
	L×W×H	1,250×700×800		1,395×770×880		1,505×800×905	
	Dry (Operating) weight	310 (340)	315 (345)	420 (460)	430 (470)	515 (555)	525 (565)
	Sound power level in decibels	93					
	Sound pressure level	67					
Designated emissions regulation	JPN Stage 3						



		PDS140L-5C5	PDS140LC-5C5 After-Cooler	PDS185S-7C5	PDS185SC-7C5 After-Cooler
COMPRESSOR	Type	Rotary Twin Screw, Single-Stage, Oil-cooled			
	Free air delivery	4.0		5.2	
	Rated operating pressure	0.7[7.14][102]			
	Compressor capacity	14.0		15.0	
	Air outlet valve	3/4"×2, Air Chuck 3/8"×1		3/4"×3	
ENGINE	Make/Model	YANMAR EDM-3TNV88		YANMAR 4TNV88-BXDHKSR	
	Type	Direct-Injection			
	Rated output	26.9 (36.5) /3,000		34.9 (47.5) /3,000	
	Engine oil capacity	6.7		7.4	
	Fuel tank capacity	69		92	
DIMENSION & WEIGHT	Battery	85D26R×1			
	L×W×H	1,580×890×1,130		1,850×950×1,300	
	Dry (Operating) weight	690 (770)	700 (780)	825 (925)	835 (935)
	Sound power level in decibels	94			
	Sound pressure level	66			
Designated emissions regulation	JPN Stage 3				

● Specifications are subject to change without notice.



# 01

## High-efficiency gears achieve large air volume

AS rotors (highly-efficient gears) enable the device to efficiently produce high-level volumes of air.

# 04

## Large wheels

We selected the most suitable wheel dimensions for effortless movement on-site.



# 05

## Highly durable compressor oil

The series employs high-performance compressor oil originating from AIRMAN's independent research.

## AIRMAN PDS series

AIRMAN PDS series is the most popular compressor at construction sites. You can choose from a wide range of models from small to very large types to suits your needs.

The series features a sound-proof structure that is certified as a low-noise device, including ease of operation, monitor screens, and an emergency stop function. Also, the high-performance compressor has been field-proven to be durable and fuel efficient.

# 06

## The lineup of eco-friendly equipped oil fences 「Leak-Guard」

Eco-friendly type with an integrated oil fence

In case fuel, oil or cooling water leaks on the frame, the oil fence prevents the leakage from flowing outside. It does not guarantee to prevent all oil leaks.

A built-in aftercooler drain tank that does not discharge to the outside. The tank is easily detachable for easy disposal of drain water.

### 「Leak-Guard」Applicable models

Posted on P.4

	PDS65L
After-Cooler	PDS65LC
	PDS80L
After-Cooler	PDS80LC
	PDS100L
After-Cooler	PDS100LC
	PDS140L
After-Cooler	PDS140LC
	PDS185S
After-Cooler	PDS185SC

Posted on P.17

Dual Pressure specifications	PDSG1400LDP
Dual Pressure specifications	PDSK930LDP

Posted on P.18

Variable pressure specifications	PDSG290LVR
Variable pressure specifications After-Cooler	PDSG290LVRC
Variable pressure specifications Dry-Air	PDSG290LVRD
Variable pressure specifications	PDSG1400LVR

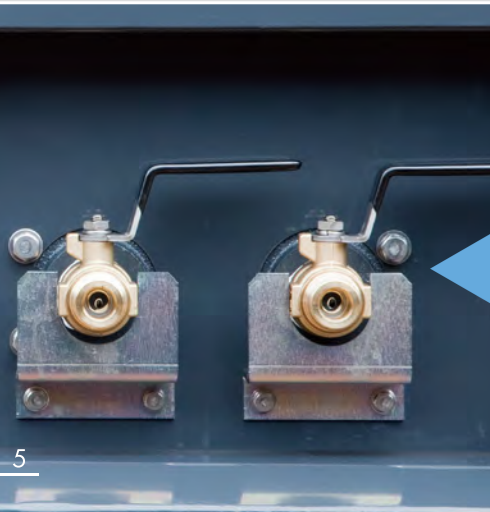
# 02

## Excellent operability

Digital monitor panels are provided for visibility, while the pressure gauge is equipped with an analog meter that is easy to understand.



Oil fence



# 03

## A rotation stopper is equipped in the service valve

Rotation stoppers are equipped on the service valves to prevent loosening from the daily attaching and reattaching of air tools.



# 07

## Variable pressure

Meeting the needs of a wide variety of applications.



# 08

## Abundant options

AIRMAN's portable air compressor has variety of options to make you more convenient. Please contact us for more details.



PDS80S



PDS100S



PDS130S

			PDS80S-5C5 Box	PDS100S-5C5 Box	PDS130S-5C3 Box
COMPRESSOR	Type		Rotary Twin Screw, Single-Stage, Oil-cooled		
	Free air delivery	m <sup>3</sup> /min	2.3	2.8	3.7
	Rated operating pressure	MPa[kgf/cm <sup>2</sup> ][psi]	0.7[7.14][102]		
	Compressor capacity	L	8	9	15
	Air outlet valve		3/4"×2		
ENGINE	Make/Model		KUBOTA D902-K3A	KUBOTA D1105-K3B	YANMAR 3TNV88-BDHK
	Type		Swirl Chamber		Direct-Injection
	Rated output	kW(PS)/min <sup>-1</sup>	17.0(23.1)/3,600	19.2(26.1)/3,400	26.9(36.5)/3,000
	Engine oil capacity	L	3.7	4.5	6.7
	Fuel tank capacity	L	25	28	70
Battery		55B24R×1	85D26R×1		
DIMENSION & WEIGHT	L×W×H	mm	1,375×770×865	1,460×770×900	1,580×890×1,080
	Dry (Operating) weight	kg	400(435)	460(500)	640(720)
	Tire Size		-		
	Sound power level in decibels	dB	93		
	Sound pressure level	dB[A]	66	67	66
	Designated emissions regulation		JPN Stage 3		



PDS185S



PDS265S

			PDS185S-6C2 Trailer	PDS265S-4C3 Trailer
COMPRESSOR	Type		Rotary Twin Screw, Single-Stage, Oil-cooled	
	Free air delivery	m <sup>3</sup> /min	5.2	7.5
	Rated operating pressure	MPa[kgf/cm <sup>2</sup> ][psi]	0.69[7.0][100]	
	Compressor capacity	L	15	30
	Air outlet valve		3/4"×2	3/4"×4, 2"×1(OP)
ENGINE	Make/Model		YANMAR 4TNV88-BDXHKS1	YANMAR KDP-4TNV98T
	Type		Direct-Injection	Direct-Injection, Turbo-Charged
	Rated output	kW(PS)/min <sup>-1</sup>	36.4(49.5)/3,000	61.2(83.2)/2,500
	Engine oil capacity	L	7.4	11
	Fuel tank capacity	L	90	115
Battery		85D26R×1	95D31R×1	
DIMENSION & WEIGHT	L×W×H	mm	2,960×1,650×1,510	2,400×1,570×1,650
	Dry (Operating) weight	kg	860(960)	1,350(1,490)
	Tire Size		175/80R13 97/95N×2W	145/80R12 86/84N×2W
	Sound power level in decibels	dB	98	
	Sound pressure level	dB[A]	71	70
	Designated emissions regulation		US Tier 3	JPN Stage 3



PDS185S



PDS265S



PDS390S

			PDS185S-5C5 Box	PDS265S-5C3 Box	PDS390S-5C1 Box
COMPRESSOR	Type		Rotary Twin Screw, Single-Stage, Oil-cooled		
	Free air delivery	m <sup>3</sup> /min	5.2	7.5	11.0
	Rated operating pressure	MPa[kgf/cm <sup>2</sup> ][psi]	0.7[7.14][102]	0.69[7.0][100]	
	Compressor capacity	L	15	30	50
	Air outlet valve		3/4"×3	3/4"×4, 2"×1(OP)	3/4"×4, 2"×1
ENGINE	Make/Model		YANMAR 4TNV88-BDXHKS1	YANMAR KDP-4TNV98T	ISUZU CI-4JJ1X
	Type		Direct-Injection	Direct-Injection, Turbo-Charged	Direct-Injection, Turbo-Charged, Intercooled
	Rated output	kW(PS)/min <sup>-1</sup>	34.9(47.5)/3,000	61.2(83.2)/2,500	84.4(114.8)/2,200
	Engine oil capacity	L	7.4	10.5	15
	Fuel tank capacity	L	90	115	180
Battery		85D26R×1	95D31R×1	85D26R×2	
DIMENSION & WEIGHT	L×W×H	mm	1,850×950×1,080	2,050×1,200×1,250	2,680×1,300×1,400
	Dry (Operating) weight	kg	755(850)	1,150(1,290)	1,660(1,870)
	Tire Size		-		
	Sound power level in decibels	dB	95	98	99
	Sound pressure level	dB[A]	68	70	
	Designated emissions regulation		JPN Stage 3		



PDS390S



PDS670S

			PDS390S-4C1 Trailer	PDS670S-4C5 Trailer
COMPRESSOR	Type		Rotary Twin Screw, Single-Stage, Oil-cooled	
	Free air delivery	m <sup>3</sup> /min	11.0	19.0
	Rated operating pressure	MPa[kgf/cm <sup>2</sup> ][psi]	0.7[7.14][102]	
	Compressor capacity	L	50	97
	Air outlet valve		3/4"×4, 2"×1	3/4"×2, 2"×1, Air Chuck 3/8"×1
ENGINE	Make/Model		ISUZU CI-4JJ1X	ISUZU AI-4HK1X
	Type		Direct-Injection, Turbo-Charged, Intercooled	
	Rated output	kW(PS)/min <sup>-1</sup>	84.4(114.8)/2,200	118.6(161)/2,000
	Engine oil capacity	L	15	20.5
	Fuel tank capacity	L	180	310
Battery		85D26R×2	130F51×2	
DIMENSION & WEIGHT	L×W×H	mm	3,065×1,415×1,870	3,690×1,680×2,145
	Dry (Operating) weight	kg	1,965(2,175)	2,940(3,310)
	Tire Size		175/80R13 97/95N×4W	
	Sound power level in decibels	dB	98	102
	Sound pressure level	dB[A]	70	76
	Designated emissions regulation		JPN Stage 3	

● Specifications are subject to change without notice.

Leak-Guard

Standard

After-Cooler

Dry-Air

High Pressure

# After-Cooler PDS-C SERIES

Adiabatic expansion within a high-load device such as a concrete breaker, rapidly cools compressed air, resulting in water droplets that can scatter from the breaker's exhaust or can freeze in some areas during winter. But since the integrated After-Cooler cools, condenses and eliminates moisture in the compressed air, the discharged air from PDS-C contains only a small amount of water. This functionality proves its true value in chipping and sandblasting operations.

## PDS 185 S C - 5 C5

- ① Portable Diesel Screw
- ② Air volume (CFM) 1m<sup>3</sup>/min=35CFM
- ③ Control S : Single pressure
- ④ Type 3 : Skid  
4 : Trailer  
5 : Box

### Do you have the following experiences?



Dirty due to water splash



Too hot to hold



Rust damages the air tools



Air bubbles in the paint




Frozen and unable to move

All are caused by moisture within the compressed air!

As the After-cooler cools and condenses the moisture in the compressed air, the discharged air contains only a small amount of water

**Quantity of water generated from the discharged air**

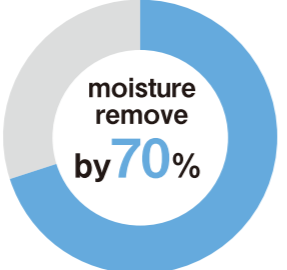
If the breaker is being used for four hours:



**1.8L x 3 bottles**

**Eliminate moisture from the discharged air**

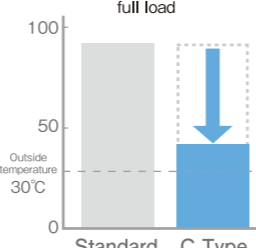
moisture from the discharged air  
Atmospheric pressure, 30°C, 70%RH  
100 for a standard device



**moisture remove by 70%**

**Reduce the temperature of discharged air**

discharged air temperature  
Atmospheric pressure, 30°C, 70%RH, full load



**Discharged air temp descend by 50°C**

### After-Cooler PDS series



PDS80SC



PDS100SC



PDS130SC

		PDS65LC-5C5 Leak guard/Box	PDS80SC-5C5 <PDS80LC-5C5> Box <Leak guard/Box>	PDS100SC-5C5 <PDS100LC-5C5> Box <Leak guard/Box>	PDS130SC-5C3 Box	PDS140LC-5C5 Leak guard/Box	
COMPRESSOR	Type	Rotary Twin Screw, Single-Stage, Oil-cooled					
	Free air delivery	m <sup>3</sup> /min	1.8	2.3	2.8	3.7	4.0
	Rated operating pressure	MPa[kgf/cm <sup>2</sup> ][psi]	0.7[7.14][102]		0.69[7.0][100]		0.7[7.14][102]
	Compressor capacity	L	7	8	9	15	14
	Discharge Air Temperature	°C	Atmospheric Temperature+20				
	Air outlet valve		3/4"×1, Air Chuck 3/8"×1		3/4"×2		3/4"×2, Air Chuck 3/8"×1
ENGINE	Make/Model	KUBOTA D722-K3A		KUBOTA D902-K3A	KUBOTA D1105-K3A	YANMAR 3TNV88-BDHK	YANMAR 3TNV88-BDHK2
	Type	Swirl Chamber				Direct-Injection	
	Rated output	kW(PS) /min <sup>-1</sup>	14.1 (19.2) /3,600	17.0 (23.1) /3,600	19.2 (26.1) /3,400	26.9 (36.5) /3,000	
	Engine oil capacity	L	3.8	3.7	4.5	6.7	
	Fuel tank capacity	L	18	25<33>	28<33>	70	69
	Battery		55B24R×1			85D26R×1	
DIMENSION & WEIGHT	L×W×H	mm	1,250×700×800	1,375×770×865 <1,395×770×880>	1,460×770×900 <1,505×800×905>	1,580×890×1,080	1,580×890×1,130
	Dry (Operating) weight	kg	315 (345)	405 (440)<430 (470)>	470 (510)<525 (565)>	650 (730)	700 (780)
	Tire Size		-				
	Sound power level in decibels	dB	93	93 <93>	93 <94>	94	
	Sound pressure level	dB[A]	67	66 <67>	67 <67>	66	
	Designated emissions regulation		JPN Stage 3				



PDS185SC



PDS185SC



PDS265SC



PDS390SC

		PDS185SC-5C5 <PDS185SC-3C5> <<PDS185SC-7C5>> Box <Skid> <Leak guard/Box>	PDS265SC-4C3 Trailer	PDS265SC-5C3 Box	PDS390SC-4C1 Trailer	PDS390SC-5C1 Box	
COMPRESSOR	Type	Rotary Twin Screw, Single-Stage, Oil-cooled					
	Free air delivery	m <sup>3</sup> /min	5.2	7.5	11.0		
	Rated operating pressure	MPa[kgf/cm <sup>2</sup> ][psi]	0.7[7.14][102]		0.69[7.0][100]		
	Compressor capacity	L	15	30		50	
	Discharge Air Temperature	°C	Atmospheric Temperature+20				
	Air outlet valve		3/4"×3	3/4"×4, 2"×1(OP)		3/4"×4, 2"×1	
ENGINE	Make/Model	YANMAR 4TNV88-8XDHKS	YANMAR KDP-4TNV98T		ISUZU CI-4JU1X		
	Type	Direct-Injection	Direct-Injection, Turbo-Charged		Direct-Injection, Turbo-Charged, Intercooled		
	Rated output	kW(PS) /min <sup>-1</sup>	34.9 (47.5) /3,000	61.2 (83.2) /2,500		84.4 (114.8) /2,200	
	Engine oil capacity	L	7.4	11		15	
	Fuel tank capacity	L	90	115		180	
	Battery		85D26R×1	95D31R×1		85D26R×2	
DIMENSION & WEIGHT	L×W×H	mm	1,850×950×1,080 <1,850×1,130×1,270> <<1,850×950×1,300>>	2,400×1,570×1,650	2,050×1,200×1,250	3,065×1,415×1,870	2,680×1,300×1,400
	Dry (Operating) weight	kg	765 (860) <800 (900)> <<835 (935)>>	1,370 (1,510)	1,170 (1,310)	2,005 (2,215)	1,700 (1,910)
	Tire Size		-	145/80R12 86/84N×2W	-	175/80R13 97/95N×4W	-
	Sound power level in decibels	dB	95 <94> <<94>	98		99	
	Sound pressure level	dB[A]	68 <65> <<68>	70		70	
	Designated emissions regulation		JPN Stage 3				

● Specifications are subject to change without notice.

# Dry-Air PDS-D SERIES

AIRMAN PDS-D is a series of compressors that supplies dry air with low humidity. It supplies dry service air at atmospheric temperature +40°C and contains numerous devices such as an aftercooler to cool the compressed air, an auto drain to discharge collected water, and an afterwarmer to lower the humidity of the compressed air. Because the machine frees compressed air from water in humid conditions like a rainy day or even a rainy season, this series is particularly suitable for duct recover, painting, sandblasting, and factory air. \*Does not supply oil-free air.

## PDS 670 S D - 4 C5

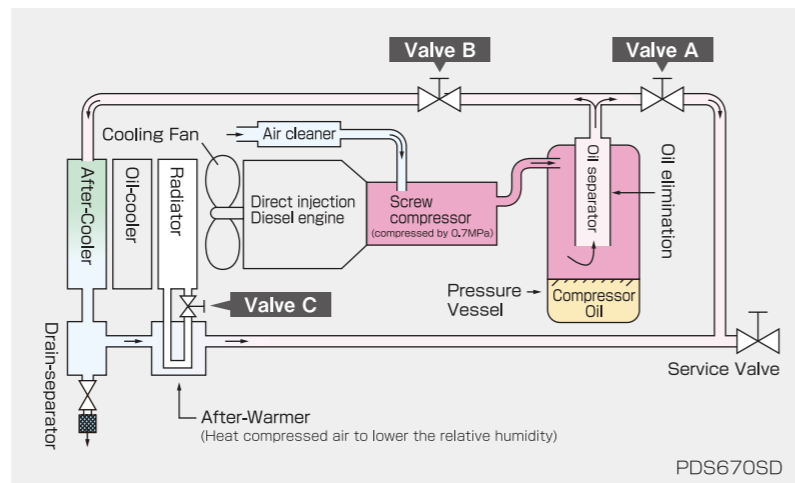
- ① Portable Diesel Screw
- ② Air volume (CFM) 1m<sup>3</sup>/min=35CFM
- ③ Control S : Single pressure
- ④ Type 4 : Trailer  
5 : Box

### The following is how dry air is born

After the removal of oil by the oil separator, the compressed air is cooled significantly by the aftercooler.

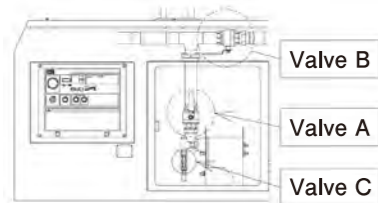
As the compressed air is cooled, a saturated vapor (vapor that cannot be absorbed in the compressed air) is changed into small water drops and then drained.

The dehydrated compressed air is heated by the afterwarmer, reusing the hot water from the engine. The heat makes the compressed air less humid, transforming it into dry air.



### Switchable between dry air (high temperature), after-cooled air (low temperature) and normal air

You can switch valves to obtain 3 types of air: dry air, after-cooled air, and normal air depending on application.



	Dry Air (High Temp.)	After-cooler Air (Low Temp.)	Normal Air
<b>Valve A</b> Dehumidification switching	Shut	Open	Open
<b>Valve B</b> Dehumidification switching	Open	Shut	Shut
<b>Valve C</b> Temp. switching for Dry air	Open	Shut	Shut

※After-cooler air of applications: intake air to separated dryer

PDS670SD

### Dry-Air PDS series



		PDS265SD-4C3 Trailer	PDS265SD-5C3 Box	PDS390SD-4C1 Trailer	PDS390SD-5C1 Box	
COMPRESSOR	Type	Rotary Twin Screw, Single-Stage, Oil-cooled				
	Free air delivery	m <sup>3</sup> /min	7.5	11.0		
	Rated operating pressure	MPa[kgf/cm <sup>2</sup> ][psi]	0.69[7.0][100]			
	Compressor capacity	L	30	50		
	Discharge Air Temperature	°C	Atmospheric Temperature+40			
ENGINE	Air outlet valve	3/4"×4, 2"×1(OP)		3/4"×4, 2"×1		
	Make/Model	YANMAR 4TNV98T-ZNHK		ISUZU CI-4JJ1X		
	Type	Direct-Injection, Turbo-Charged		Direct-Injection, Turbo-Charged, Intercooled		
	Rated output	kW(PS) /min <sup>-1</sup>	61.2(83.2) /2,500	84.4(114.8) /2,200		
	Engine oil capacity	L	11	15		
DIMENSION & WEIGHT	Fuel tank capacity	L	115	180		
	Battery		95D31R×1	85D26R×2		
	L×W×H	mm	2,400×1,570×1,650	2,175×1,200×1,250	3,065×1,415×1,870	2,680×1,300×1,400
	Dry (Operating) weight	kg	1,410(1,550)	1,210(1,350)	2,075(2,285)	1,770(1,980)
	Tire Size		145/80R12 86/84N×2W	—	175/80R13 97/95N×4W	—
	Sound power level in decibels	dB	98	99	98	
	Sound pressure level	dB[A]	70			
Designated emissions regulation		JPN Stage 3				



		PDS670SD-4C5 Trailer	PDS600SD/F550SD-4C5 Dual Pressure / Trailer	PDSG750SD-4C5 Variable pressure / Trailer		
COMPRESSOR	Type	Rotary Twin Screw, Single-Stage, Oil-cooled				
	Free air delivery	m <sup>3</sup> /min	19.0	17.0/15.6	25.5~21.2	
	Rated operating pressure	MPa[kgf/cm <sup>2</sup> ][psi]	0.7[7.14][102]	1.03[10.5][149]/0.7[7.14][102]	1.4[14.3][203]~0.5[5.1][73]	
	Compressor capacity	L	97	82		
	Discharge Air Temperature	°C	Atmospheric Temperature+40			
ENGINE	Air outlet valve	3/4"×2, 2"×1, 3/8"×1		2"×1, 3/4"×2		
	Make/Model	ISUZU AI-4HK1X		HINO J08E-UK		
	Type	Direct-Injection, Turbo-Charged, Intercooled				
	Rated output	kW(PS) /min <sup>-1</sup>	118.6(161) /2,000	197(268) /2,100		
	Engine oil capacity	L	20.5	28.5		
DIMENSION & WEIGHT	Fuel tank capacity	L	310	400		
	Battery		130F51×2	170F51×2		
	L×W×H	mm	3,690×1,680×2,145	3,820×1,730×2,300		
	Dry (Operating) weight	kg	3,050(3,430)	3,090(3,470)	3,510(3,970)	
	Tire Size		175/80R13 97/95N×4W		185/80R14 102/100N×4W	
	Sound power level in decibels	dB	102	101	102	
	Sound pressure level	dB[A]	76	72	75	
Designated emissions regulation		JPN Stage 3				

※Specifications are subject to change without notice.

High Pressure

# PDSF/K SERIES

Variable Pressure

# PDS-DP/VR SERIES

**DP**  
**Dual Pressure**  
[2 stage pressure switching]

**VR**  
**Variable Ratings**  
[Continuous variable control]

AIRMAN high-pressure compressors and variable pressure compressors are the foundation of urban development. The core of the compressors, the screw rotors, are all developed in-house allowing us to achieve both incomparable power and variety in our products. This series is particularly effective for urban development projects including foundation work using down-the-hole or large-diameter boring techniques and spraying work to ensure the safety of slopes around a mountain road. Just a single one of our variable pressure compressors can handle multiple roles in a project, adjusting easily to the various pressure and air volume needs of your projects.

## PDS G 1400 L VR -5 C5

- 1 Portable Diesel Screw
- 2 Pressure specification symbol  
Blank: 0.7MPa    H: 1.7MPa  
F: 1.03MPa    J: 2.0MPa  
G: 1.4MPa    K: 2.5MPa
- 3 Air volume (CFM) 1m<sup>3</sup>/min=35CFM
- 4 Bonnet type  
Blank: Standard  
L: Leak-Guard
- 5 Control  
S: Single pressure  
DP: 2 stage pressure switching  
VR(S): Continuous variable control
- 6 Special specification  
Blank: Standard  
C: After-Cooler  
D: Dry-Air
- 7 Type  
4: Trailer  
5: Box

### High Pressure

### Full lineup of the high-pressure series

A wide range of discharge pressure ratings from 1.03 to 2.41 MPa are available depending on usage.

### Variable Pressure [DP]

#### Play a dual role

Pressure Switch is available for switching between low pressure or high pressure depending on usage.

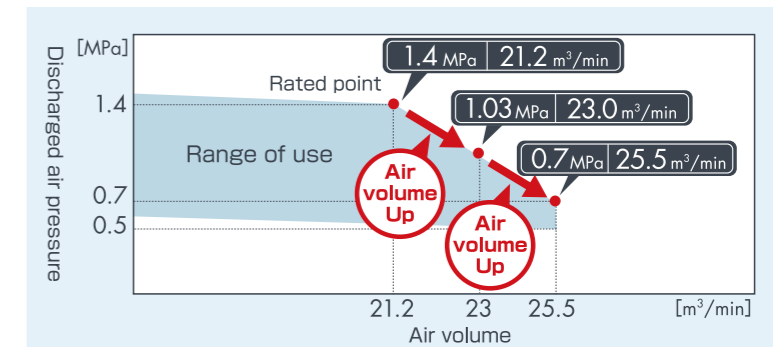
Model	Discharged air pressure (MPa)	Air volume (m <sup>3</sup> /min)
PDS600S/F550S	0.7 / 1.03	17.0 / 15.6
PDSF1000DP	0.7 / 1.03	27.5
PDSG900DP	1.03 / 1.4	24.4
PDSG1400LDP	1.03 / 1.4	39.7
PDSJ850DP	1.7 / 2.0	24.1
PDSJ1100DP	1.7 / 2.0	29.7
PDSJ1550DP	1.7 / 2.0	43.9 / 42.5
PDSK930LDP	2.0 / 2.5	29.7 / 25.5

### Variable Pressure [VR(S)]

#### Pressure setting that fits each site

You can freely choose any pressure within the range from 0.5MPa to 1.4MPa. Also, it has an integrated air boosting to automatically raise the engine rotation speed if the pressure drops.

#### Wide-range pressure control (VRS)



PDSG750S

### Variable Pressure [VR(S)]

#### Pressure selector switch

An operator is able to change pressure value in 0.01 MPa increments on the display.



Range setting	Low	Middle	High
Initial setting [MPa]	0.7	1.03	1.4
Range setting [MPa]	0.65~0.75	0.76~1.08	1.09~1.4

※Setting can be adjustable by 0.01MPa

PDSG1400LVR

## High Pressure PDSF series



PDSF80S



PDSF100S



PDSF140S

		PDSF80S-5c5 Box	PDSF100S-5c3 Box	PDSF140S-5c3 Box	
COMPRESSOR	Type	Rotary Twin Screw, Single-Stage, Oil-cooled			
	Free air delivery	m <sup>3</sup> /min	2.15	4.0	
	Rated operating pressure	MPa[kgf/cm <sup>2</sup> ][psi]	0.96[9.8][140]	1.03[10.5][150]	
	Compressor capacity	L	16	15	
	Air outlet valve		3/4"×2		
ENGINE	Make/Model	KUBOTA D1105-K3A	YANMAR 3TNV88-BDHK	YANMAR 4TNV88-BDHS	
	Type	Swirl Chamber	Direct-Injection		
	Rated output	kW (PS) /min <sup>-1</sup>	19.2(26.1)/3,000	26.9(36.6)/3,000	34.9(49.6)/3,000
	Engine oil capacity	L	4.5	6.7	7.4
	Fuel tank capacity	L	28	70	90
DIMENSION & WEIGHT	Battery	85D26R×1			
	L×W×H	mm	1,460×770×900	1,580×890×1,080	1,850×950×1,080
	Dry (Operating) weight	kg	460(500)	640(720)	750(850)
	Tire Size		-		
	Sound power level in decibels	dB	92	94	
	Sound pressure level	dB[A]	65		
Designated emissions regulation		JPN Stage 3			



PDSF315S



PDSF315S

		PDSF210S-5c3 Box	PDSF315S-4c1 Trailer	PDSF315S-5c1 Box	
COMPRESSOR	Type	Rotary Twin Screw, Single-Stage, Oil-cooled			
	Free air delivery	m <sup>3</sup> /min	6.0	8.9	
	Rated operating pressure	MPa[kgf/cm <sup>2</sup> ][psi]	1.03[10.5][150]		
	Compressor capacity	L	30	50	
	Air outlet valve		3/4"×4, 2"×1(OP)	3/4"×4, 2"×1	
ENGINE	Make/Model	YANMAR 4TNV98T-ZNPK	ISUZU CI-4JJ1X		
	Type	Direct-Injection, Turbo-Charged	Direct-Injection, Turbo-Charged, Intercooled		
	Rated output	kW (PS) /min <sup>-1</sup>	61.2(83.2)/2,500	84.4(114.8)/2,200	
	Engine oil capacity	L	11	15	
	Fuel tank capacity	L	115	180	
DIMENSION & WEIGHT	Battery	95D31R×1	85D26R×2		
	L×W×H	mm	2,050×1,200×1,310	3,065×1,415×1,870	2,680×1,300×1,400
	Dry (Operating) weight	kg	1,150(1,290)	2,005(2,215)	1,700(1,910)
	Tire Size		-	175/80R13 97/95N×4W	-
	Sound power level in decibels	dB	98	99	
	Sound pressure level	dB[A]	70		
Designated emissions regulation		JPN Stage 3			

## High Pressure PDSF series After-Cooler



PDSF100SC



PDSF140SC

		PDSF100SC-5c3 Box	PDSF140SC-5c3 Box	PDSF210SC-5c3 Box	
COMPRESSOR	Type	Rotary Twin Screw, Single-Stage, Oil-cooled			
	Free air delivery	m <sup>3</sup> /min	2.8	4.0	6.0
	Rated operating pressure	MPa[kgf/cm <sup>2</sup> ][psi]	1.03[10.5][150]		
	Compressor capacity	L	15		30
	Discharge Air Temperature	°C	Atmospheric Temperature+20		
ENGINE	Air outlet valve	3/4"×2	3/4"×3		
	Make/Model	YANMAR 3TNV88-BDHK	YANMAR 4TNV88-BDHS	YANMAR 4TNV98T-ZNPK	
	Type	Direct-Injection		Direct-Injection, Turbo-Charged	
	Rated output	kW (PS) /min <sup>-1</sup>	26.9(36.5)/3,000	34.9(49.6)/3,000	61.2(83.2)/2,500
	Engine oil capacity	L	6.7	7.4	11
DIMENSION & WEIGHT	Fuel tank capacity	L	70	90	115
	Battery	85D26R×1			
	L×W×H	mm	1,580×890×1,080	1,850×950×1,080	2,050×1,200×1,310
	Dry (Operating) weight	kg	650(730)	750(850)	1,170(1,300)
	Tire Size		-		
	Sound power level in decibels	dB	94		98
Sound pressure level	dB[A]	65			
Designated emissions regulation		JPN Stage 3			



PDSF315SC



PDSF315SC

		PDSF315SC-4c1 Trailer	PDSF315SC-5c1 Box	
COMPRESSOR	Type	Rotary Twin Screw, Single-Stage, Oil-cooled		
	Free air delivery	m <sup>3</sup> /min	8.9	
	Rated operating pressure	MPa[kgf/cm <sup>2</sup> ][psi]	1.03[10.5][150]	
	Compressor capacity	L	50	
	Discharge Air Temperature	°C	Atmospheric Temperature+20	
ENGINE	Air outlet valve	3/4"×4, 2"×1		
	Make/Model	ISUZU CI-4JJ1X		
	Type	Direct-Injection, Turbo-Charged, Intercooled		
	Rated output	kW (PS) /min <sup>-1</sup>	84.4(114.8)/2,200	
	Engine oil capacity	L	15	
DIMENSION & WEIGHT	Fuel tank capacity	180		
	Battery	85D26R×2		
	L×W×H	mm	3,065×1,415×1,870	2,680×1,300×1,400
	Dry (Operating) weight	kg	2,045(2,255)	1,740(1,950)
	Tire Size		175/80R13 97/95N×4W	-
	Sound power level in decibels	dB	99	
Sound pressure level	dB[A]	70		
Designated emissions regulation		JPN Stage 3		

● Specifications are subject to change without notice.

Leak-Guard

Standard

After-Cooler

Dry-Air

High Pressure

## Variable Pressure PDS-DP series



		PDS600S/F550S-4C5 Dual Pressure / Trailer	PDSF1000DP-4C5 Dual Pressure / Trailer	PDSG900DP-4C5 Dual Pressure / Trailer	PDSG1400LDP-5C5 Dual Pressure / Box	
COMPRESSOR	Type	Rotary Twin Screw, Single-Stage, Oil-cooled				
	Free air delivery	m <sup>3</sup> /min	17.0/15.6	27.5	24.4	40.3/39.7
	Rated operating pressure	MPa[kgf/cm <sup>2</sup> ][psi]	0.7[7.14][102]/1.03[10.5][150]		1.03[10.5][150]/ 1.4[14.3][203]	1.03[10.5][150]/ 1.5[15.3][220]
	Compressor capacity	L	97	110	95	200
	Air outlet valve		3/4"×2, 2"×1, 3/8"×1	3/4"×1, 2"×3	3/4"×1, 2 1/2"×1	3/4"×1, 3"×1
ENGINE	Make/Model	ISUZU AI-4HK1X	KOMATSU SAA6D 125E-5		KOMATSU SAA6D140E-5-B	
	Type	Direct-Injection, Turbo-Charged, Intercooled				
	Rated output	kW(PS)/min <sup>-1</sup>	118.6(161)/2,000	247(335.8)/1,900		398(541.1)/2,000
	Engine oil capacity	L	20.5	41		61
	Fuel tank capacity	L	310	600		780
DIMENSION & WEIGHT	Battery		130F51×2		170F51×2	
	L×W×H	mm	3,690×1,680×2,145	4,370×2,000×2,290		4,750×1,950×2,050
	Dry (Operating) weight	kg	2,980(3,350)	4,990(5,680)	4,950(5,620)	6,610(7,530)
	Tire Size		175/80R13 97/95N×4W	7.50-16 14PR×4W		—
	Sound power level in decibels	dB	101	105	103	104
	Sound pressure level	dB[A]	72	75	73	74
	Designated emissions regulation		JPN Stage 3			



		PDSJ850DP-4C5 Dual Pressure / Trailer	PDSJ1100DP-4C5 Dual Pressure / Trailer	PDSJ1550DP-4C6 Dual Pressure / Trailer	PDSK930LDP-5C5 Dual Pressure / Box	
COMPRESSOR	Type	Rotary Twin Screw, Two-Stage, Oil-cooled				
	Free air delivery	m <sup>3</sup> /min	24.1	29.7	43.9/42.5	29.7/25.5
	Rated operating pressure	MPa[kgf/cm <sup>2</sup> ][psi]	1.7[17.4][250]/2.0[20.4][290]		2.0[20.4][290]/2.5[25.5][363]	
	Compressor capacity	L	98		150	98
	Air outlet valve		3/4"×1, 2"×1			
ENGINE	Make/Model	KOMATSU SAA6D 125E-5-A	KOMATSU SAA6D 125E-5-C	KOMATSU SAA6D 140E-5-B	KOMATSU SAA6D125E-5-C	
	Type	Direct-Injection, Turbo-Charged, Intercooled				
	Rated output	kW(PS)/min <sup>-1</sup>	247(335.8)/1,900	282.9(384.6)/2,100	398(541.1)/2,000	282.9(384.6)/2,100
	Engine oil capacity	L	41		61	41
	Fuel tank capacity	L	600	700	902	710
DIMENSION & WEIGHT	Battery	170F51×2		225H52×2	170F51×2	
	L×W×H	mm	4,370×2,000×2,290		4,900×2,100×2,500	4,300×1,850×1,900
	Dry (Operating) weight	kg	5,270(5,940)	5,520(6,270)	7,510(8,500)	5,080(5,850)
	Tire Size		7.50-16 14PR×4W		7.00-15 12PR(i)×4W	—
	Sound power level in decibels	dB	103	102	104	102
	Sound pressure level	dB[A]	73	70	75	73
	Designated emissions regulation		JPN Stage 3			

## Variable Pressure PDS-DP series After-Cooler/Dry-Air



		PDS600SD/ F550SD-4C5 Dual Pressure / Trailer	PDSF1000DPC-4C5 Dual Pressure / Trailer	PDSG900DPC-4C5 Dual Pressure / Trailer	PDSJ850DPC-4C5 Dual Pressure / Trailer	
COMPRESSOR	Type	Rotary Twin Screw, Single-Stage, Oil-cooled			Rotary Twin Screw, Two-Stage, Oil-cooled	
	Free air delivery	m <sup>3</sup> /min	17.0/15.6	27.5	24.4	24.1
	Rated operating pressure	MPa[kgf/cm <sup>2</sup> ][psi]	0.7[7.14][102]/1.03[10.5][150]		1.03[10.5][150]/ 1.4[14.3][203]	1.7[17.4][250]/ 2.0[20.4][290]
	Compressor capacity	L	97	110	95	98
	Discharge Air Temperature	°C	Atmospheric Temperature+40		Atmospheric Temperature+20	
ENGINE	Air outlet valve	3/4"×2, 2"×1, 3/8"×1	3/4"×1, 2"×3		3/4"×1, 2 1/2"×1	3/4"×1, 2"×1
	Make/Model	ISUZU AI-4HK1X	KOMATSU SAA6D 125E-5-A			
	Type	Direct-Injection, Turbo-Charged, Intercooled				
	Rated output	kW(PS)/min <sup>-1</sup>	118.6(161)/2,000	247(335.8)/1,900		
	Engine oil capacity	L	20.5	41		
DIMENSION & WEIGHT	Fuel tank capacity	L	310	600		
	Battery		130F51×2	170F51×2		
	L×W×H	mm	3,690×1,680×2,145	4,370×2,000×2,290		
	Dry (Operating) weight	kg	3,090(3,470)	5,100(5,790)	5,050(5,720)	5,350(6,030)
	Tire Size		175/80R13 97/95N×4W	7.50-16 14PR×4W		
	Sound power level in decibels	dB	101	105	103	
	Sound pressure level	dB[A]	72	75	73	
Designated emissions regulation		JPN Stage 3				

## Variable Pressure PDS-VR series



		PDSG290LVR -5C5 Variable pressure / Box	PDSG290LVR -5C5 Variable pressure / Box	PDSG290LVRD -5C5 Variable pressure / Box	PDSG750S -4C5 Variable pressure / Trailer	PDSG750SD -4C5 Variable pressure / Trailer	PDSG1400LVR -5C5 Variable pressure / Box	
COMPRESSOR	Type	Rotary Twin Screw, Single-Stage, Oil-cooled						
	Free air delivery	m <sup>3</sup> /min	9.6~8.2		25.5~21.2		42.5~39.7	
	Rated operating pressure	MPa[kgf/cm <sup>2</sup> ][psi]	0.6[6.12][87]~1.4[14.3][203]			0.5[5.1][73]~ 1.4[14.3][203]		0.65[6.63][94]~ 1.4[14.3][203]
	Compressor capacity	L	38			82		200
	Discharge Air Temperature	°C	—	Atmospheric Temperature+20	Atmospheric Temperature+40	—	Atmospheric Temperature+40	—
ENGINE	Air outlet valve	3/4"×3, 2"×1			3/4"×2, 2"×1		3/4"×1, 3"×1	
	Make/Model	KUBOTA V3800-DI-TI-K3B			HINO JOBE-UK		KOMATSU SAA6D140E-5-B	
	Type	Direct-Injection, Turbo-Charged, Intercooled						
	Rated output	kW(PS)/min <sup>-1</sup>	79.3(107.8)/2,600		197(268)/2,100		398(541.1)/2,000	
	Engine oil capacity	L	13		28.5		61	
DIMENSION & WEIGHT	Fuel tank capacity	L	177		400		780	
	Battery		130F51×1			170F51×2		
	L×W×H	mm	2,600×1,300×1,300		3,820×1,730×2,325		4,750×1,950×2,050	
	Dry (Operating) weight	kg	1,560(1,760)	1,610(1,810)	1,660(1,860)	3,410(3,870)	3,580(4,040)	6,610(7,530)
	Tire Size		—		185R14 8PR×4W		—	
	Sound power level in decibels	dB	99		102		104	
	Sound pressure level	dB[A]	70		74		78.6	
Designated emissions regulation		JPN Stage 3						

● Specifications are subject to change without notice.