

EL40/45/50-Pro



COUNTER BALANCE FORKLIFT SERIES



NEW ENERGY FORKLIFT LEADER

BYD Efficient Lithium-Ion Electric Forklift

byd-forklifts.com

STANDARD FEATURES

Safety

- Electric braking system
 - Slope protection
 - Programmable automatic speed limit
 - Cylinder lowering speed limit
 - Charger protection
 - High loading position protection
 - Reversing alarm
 - LED headlights and rear combination lights
-

Performance

- Iron-phosphate Battery
 - AC drive system
 - AC hydraulic lift system
 - Small turning radius
 - Battery rapid charging
 - Programmable performance
 - Digital (LCD) multifunction display
 - Time & date
 - OPS time accumulator
 - Battery capacity indicator
 - Over-discharge warning (lift interrupt)
 - Parking brake indicator
 - Direction indicator
 - Maintenance indicator
 - Overload indicator
 - Built-in analyzer
 - Self-diagnostics
-

Operability & Ergonomics

- Strategically configured instrument
 - Front operator assist grips
 - Hydraulic directional shift control
 - Heavy-duty slip-resistant floor mat
 - Parking brake alarm
-

Serviceability

- AC drive motor (no brushes or commutator)
 - AC hydraulic motor (no brushes or commutator)
 - Charging port analyzing connection
 - Easy-access no-tools floorboard
 - Maintenance-free battery case
 - Easy-lift battery hood
 - Hydraulic fluid level check
 - Easy-access controllers
 - CAN-bus controller wiring
-

OPTIONAL EQUIPMENT

Load Handling (Wide visible mast)

- Standard lift 2-stage mast (Duplex standard)
 - Full free-lift 2-stage mast (Duplex FFL)
 - Lifting buffer
 - Full free-lift 3-stage 3-cylinder mast (Triplex FFL)
 - Lifting speed limit
 - Other customized fork
 - High-load backrest
 - Other customized load backrest
-

Load Handling (Hose & Valve Assembly)

- 4-way valve (no 3rd & 4th function hosing)
 - 4-way valve (with 3rd function hosing)
 - 4-way valve (with 3rd & 4th function hosing)
 - Hydraulic DV10 fitting on 3rd lever
 - Hydraulic DV10 fitting on 4th lever
 - Cascade hang-on side shifter
 - Integral side shifter
 - Fork positioners
 - Clamps
 - Rotators
 - Load pushes
 - Multiple load handlers
 - Mobile weighing
 - Layer pickers
 - Hose reels
-

Lights & Indicators

- Front woking light
 - Rear woking light
 - Strobe light
 - LED Distance Wanring spot Light
 - LED Distance Wanring laser Light
 - Back up buzzer
 - Armrest horn
-

Body

- Operator Presence Sensing Unit
 - Fork camera
 - Reversing radar
 - Reversing camera
 - Fan
 - Fire extinguisher
 - Overload protection
 - Parking brake alarm
 - Rearview mirrors (left & right sides)
 - Flat internal rearview mirror
 - Panoramic rearview mirror
 - Rear assist grip with horn button
 - Orange seatbelt
 - Cabin without woors (Includes windshield with wiper, roof & rear glass)
 - Full sealing cabin (Includes windshield with wiper & roof)
 - Front windshield with wiper & Roof
 - Synchronous steering
 - Special key
 - Bay with USB inlet
 - Fork sleeves
 - Overhead guard sheet
 - Double accelerator pedal (One on each side of brake pedal)
-

Wheels & Tires

- Solid
- Non-marking solid
- Pneumatic

COUNTER BALANCE FORKLIFT SPECIFICATIONS

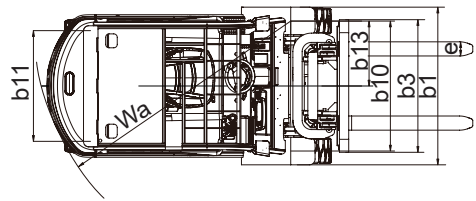
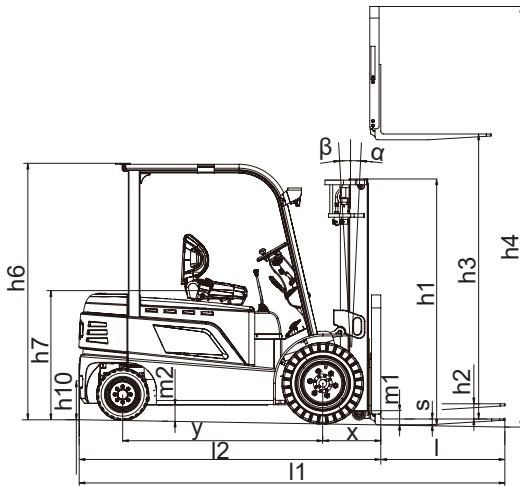
Characteristic	Manufacturer			BYD	BYD	BYD
	Model			EL40-Pro	EL45-Pro	EL50-Pro
	Power unit			Electric	Electric	Electric
	Operation			Seat	Seat	Seat
	Load capacity	Q	kg	4000	4500	5000
	Load centre	c	mm	500	500	500
	Axle centre to force face	x	mm	555	555	555
	Wheel base	y	mm	2000	2000	2000
Weights	Service weight		kg	6750	7030	7350
	Axle load with load, front/rear		kg	9440/1310	10190/1340	10960/1390
	Axle load without load, front/rear		kg	3330/3420	3315/3715	3320/4030
Wheels	Tyre rubber , SE, pneumatic,polyurethane			SE	SE	SE
	Tyre size, front			250-15	250-15	250-15
	Tyre size, rear			21x8-9	21x8-9	21x8-9
	Wheels, number front/rear (x = driven)			2x/2	2x/2	2x/2
	Track width, front	b10	mm	1206	1206	1206
	Track width, rear	b11	mm	1130	1130	1130
Dimensions	Mast/fork carriage tilt, forward/backward	α/β	$^{\circ}$	6/8	6/8	6/8
	Height of mast, lowered	h1	mm	2350	2350	2350
	Free lift	h2	mm	130	130	130
	Lift	h3	mm	3000	3000	3000
	Height of mast, extended	h4	mm	4255	4255	4255
	Height of overhead guard (cabin)	h6	mm	2360	2360	2360
	Height of seat/stand on platform	h7	mm	1260	1260	1260
	Towing coupling height	h10	mm	490	490	490
	Overall length	l1	mm	3990	3990	3990
	Length to fork face	l2	mm	2920	2920	2920
	Overall width	b1	mm	1440	1440	1440
	Fork dimensions	s/e/l	mm	50/150/1070	50/150/1070	50/150/1070
	Fork carriage to ISO 2328, class/type A, B			3A	3A	3A
	Width of fork carriage	b3	mm	1500	1500	1500
	Ground clearance, below mast	m1	mm	115	115	115
	Ground clearance, centre of wheelbase	m2	mm	160	160	160
	Aisle width with pallet 1000x1200 across forks	Ast	mm	4355	4355	4355
	Aisle width with pallet 800x1200 along forks	Ast	mm	4555	4555	4555
	Turning radius	Wa	mm	2600	2600	2600
Minimum pivoting point distance	b13	mm	810	810	810	
Performance	Travel speed, with/without load		Km/h	15/15	15/15	15/15
	Lifting speed, with/without load		mm/s	350/450	350/450	350/450
	Lowering speed, with/without load		mm/s	500/400	500/400	500/400
	Tractive force, with/without load		KN	18/18	18/18	18/18
	Climbing ability, with/without load		%	15/20	15/20	15/20
	Acceleration time, with/without load		s	-	-	-
	Service brake			Hydraulic	Hydraulic	Hydraulic
Drive	Drive motor, 60 minute rating		kW	28	28	28
	Lift motor, rating at S3 15%		kW	24	24	24
	Battery voltage/ rated capacity		V/Ah	80/(420/540)	80/(420/540)	80/(420/540)
	Battery weight		kg	900	900	900
Others	Type of drive control			AC	AC	AC
	Operating pressure for attachments		Mpa	17	17	17
	Noise level at operator's ear		dB(A)	≤80	≤80	≤80

*BYD reserves the right to alter and modify the design, features and technical parameters of its products at any given time and without pre-advise, as products are subject to ongoing and continuous development.

MAST SPECIFICATIONS

- h1** Height, Mast Fully Lowered **h2¹** Full Free Lift Height (1200 mm Load Backrest) **h4** Height, Mast Fully Extended
h3 Lifting Height **h2²** Full Free Lift Height (without Load Backrest) **α** Tilt Forward **β** Tilt Backward

MAST SPEC	h3	h2 ¹	h2 ²	h1	h4	α	β	Residual Capacity @610mm (without attachment(kg))		
	mm	mm	mm	mm	mm	deg	deg	EL40-Pro	EL45-Pro	EL50-Pro
2-stage standard Mast	3000	140	140	2350	4250	6°	8°	4000	4400	4800
	3300	140	140	2500	4550	6°	8°	3980	4330	4730
	3500	140	140	2600	4750	6°	8°	3900	4300	4700
	4000	140	140	2850	5250	6°	8°	3700	4100	4500
	4500	140	140	3100	5750	6°	6°	3500	3900	4300
	5000	140	140	3350	6250	6°	6°	3300	3700	4100
	5500	140	140	3600	6750	6°	6°	3100	3500	3900
2-stage with single FFL	3000	1035	1490	2235	4250	6°	8°	4000	4400	4800
	3300	1185	1640	2385	4550	6°	8°	3980	4330	4730
	3500	1285	1740	2485	4750	6°	8°	3900	4300	4700
	4000	1585	2040	2785	5250	6°	8°	3700	4100	4500
3-stage with single FFL	4000	945	1390	2145	5250	6°	6°	3550	3950	4350
	4300	1045	1490	2245	5550	6°	6°	3450	3850	4250
	4500	1115	1550	2315	5750	6°	6°	3350	3750	4150
	4800	1215	1650	2415	6050	6°	6°	3250	3650	4050
	5000	1285	1710	2485	6250	6°	6°	3150	3550	3950
	5500	1445	1890	2645	6750	6°	6°	2950	3350	3750
	6000	1615	2050	2815	7250	6°	6°	2750	3150	3550
	6500	1785	2210	2985	7750	6°	3°	2550	2950	3350
	6800	1885	2310	3085	8050	6°	3°	2450	2850	3250
	7200	2065	2450	3265	8450	3°	3°	2270	2660	3070
7500	2165	2550	3365	8750	3°	3°	2150	2550	2950	



Official WeChat



Official Website

BYD Forklift production site is certified:
ISO 9001 ISO 14001 OHSAS 18001



BYD Forklift +86 400 6298 666 sales@byd-forklifts.com byd-forklifts.com