

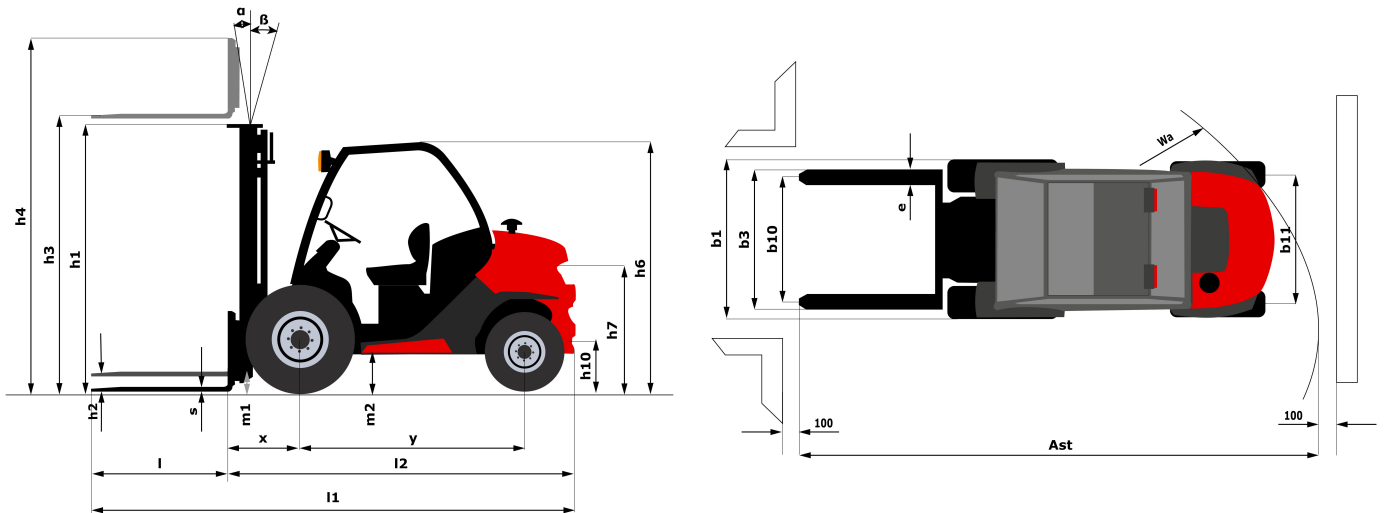
Technical sheet

MC 30-4

Masted Forklift Trucks



Technical characteristics		Metric
1.1	Manufacturer	Manitou
1.2	Model	MC 30-4
1.3	Type of traction	Diesel
1.4	Type of operation	Seated
1.5	Q - Rated capacity	3000 kg
1.6	c - Center of gravity of load	500 mm
1.8	x - Distance from the load bearing surface to the centre of the front axle	626 mm
1.9	y - Wheelbase	1900 mm
Weight		
2.1	Weight of truck in working order	4515 kg
2.2	Laden weight on front/rear axle	6595 kg / 920 kg
2.3	Unladen weight on front/rear axle	1820 kg / 2695 kg
Wheels		
3.1	Tyre equipment: bandage (V), PPS (SE), inflatable tyre (L)	L
3.2	Size of front wheels	15.2/80-18/12SLR4
3.5	Number of front wheels (x)	2x / 2x
3.6	b10 - Front track	1.16 mm
3.7	b11 - Rear track	1.18 mm
Dimensions		
4.1	α / β - Front/Rear mast angle	10 ° / 12 °
4.2	h1 - Height (mast lowered)	1990 mm
4.3	h2 - Free lift	90 mm
4.4	h3 - Lift height (Duplex mast)	3300 mm
4.5	h4 - Height of extended mast	4161 mm
4.7	h6 - Height of driver protection (cab)	2155 mm
4.8	h7 - Height of seat	1094 mm
4.19	l1 - Total length	4235 mm
4.20	l2 - Length to fork heel	3085 mm
4.21	b1 - Overall width - Single/twinned wheels	1450 mm / -
4.22	e / s / l - Fork dimensions	1150 X 122 X 45
4.23	Fork carriage to DIN 15173 A/B	FEM 3A
4.24	b3 - Width of fork clamp	1260 mm
4.31	m1 - Ground clearance under mast	300 mm
4.33	Ast - Aisle width for 1000 x 1200 pallet widthwise	5411 mm
4.35	Wa - Turning radius	3435 mm
Performances		
5.1	Speed of travel laden / unladen	12 km/h / 24.90 km/h
5.2	Lifting speed laden / unladen	0.47 m/s / 0.46 m/s
5.3	Lowering speed laden / unladen	0.50 m/s / 0.30 m/s
5.5	Nominal pulling force laden / unladen	1860 daN / 2880 daN
5.7	Maximum ramp laden / unladen	40 % / 43 %
5.10	Service brake	Hydraulic
Engine		
7.1	Engine manufacturer / Type	Kubota / Stage 3A
7.2	Useful power	36.50 kW
7.3	Rated speed	2700 rpm
7.4	Number of pistons / Capacity	4 / 2434 cm ³
Miscellaneous		
8.3	Oil flow rate for attachments	57 l/min



Characteristics of masts and residual capacities

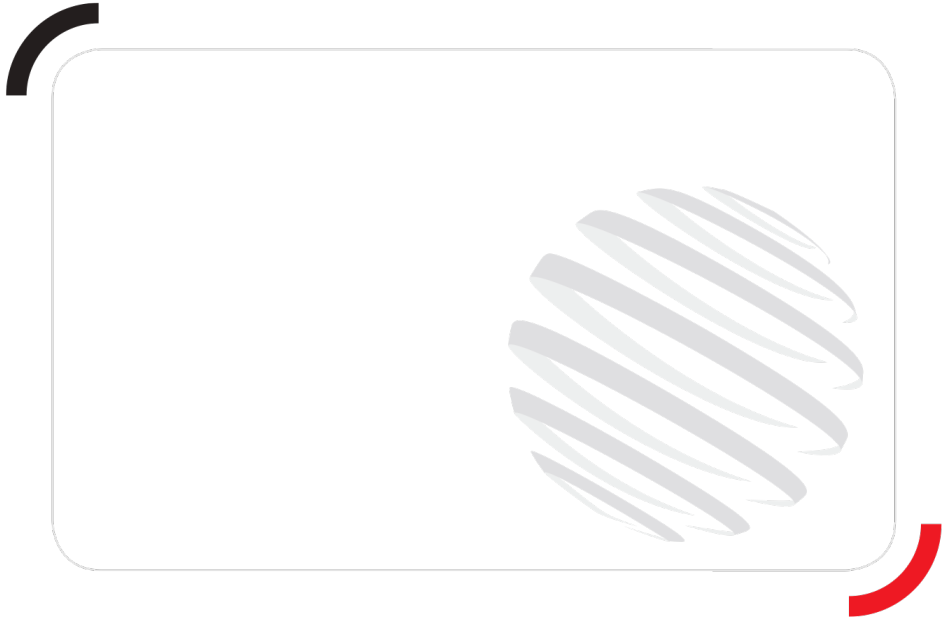
Full Visibility Duplex		FVD30	FVD35	FVD40	FVD55	FVD60
Lift height	mm	3000	3500	4000	5500	6000
Height (mast lowered)	mm	2190	2440	2790	3540	3830
Free lift	mm	90	90	90	90	90
Height of extended mast	mm	3938	4438	4938	6438	6938
Residual Capacity without attachment (Industrial load chart)	kg	3000				
Forward/backward mast tilt angle	°	10 / 12		10 / 12	6 / 6	6 / 6

Duplex Total Visibility		FVD 33	FVD 37	FVD 45
Lift height	mm	3300	3700	4500
Height (mast lowered)	mm	2340	2600	3040
Free lift	mm	90	90	90
Height of extended mast	mm	4238	4638	5438
Forward/backward mast tilt angle	°	10 / 12	10 / 12	10 / 12

Free Lift Triplex		FLT60	FLT65	FLT70
Lift height	mm	6000	6500	7000
Height (mast lowered)	mm	3040	3290	3540
Free lift	mm	2242	2492	2742
Height of extended mast	mm	6845	7345	7845
Forward/backward mast tilt angle	°	6 / 6	6 / 6	6 / 6

Triplex Without Free Lift		FVD50
Lift height	mm	5000
Height (mast lowered)	mm	3290
Free lift	mm	90
Height of extended mast	mm	5938
Forward/backward mast tilt angle	°	6 / 6

Triplex Free Lift		FLT 37	FLT 40	FLT 43	FLT 47	FLT 50	FLT 55
Lift height	mm	3700	4000	4300	4700	5000	5500
Height (mast lowered)	mm	2090	2190	2340	2440	2600	2790
Free lift	mm	1292	1392	1542	1642	1802	1992
Height of extended mast	mm	4545	4845	5145	5545	5845	6345
Forward/backward mast tilt angle	°	10 / 12	10 / 12	10 / 12	10 / 12	6 / 6	6 / 6



Siège Social
430 rue de l'Aubinière - 44150 Ancenis Cedex - France
Tel: +33(0)2 40 09 10 11 - Fax: +33 (0)2 40 09 10 97
www.manitou.com



This brochure describes versions and configuration options for Manitou products which may be fitted with different equipment. The equipment described in this brochure may be standard, optional or not available depending on version. Manitou reserves the right to change the specifications shown and described at any time and without prior warning. The manufacturer is not liable for the specifications given. For more information, contact your Manitou dealer. Non-contractual document. Product descriptions may differ from actual products. List of specifications is not comprehensive. The logos and visual identity of the company are the property of Manitou and may not be used without authorisation. All rights reserved. The photos and diagrams contained in this brochure are provided for information only.

MANITOU BF SA - Limited company with board of directors - Share capital: 39,547,824 euros - 857 802 508 RCS Nantes