

3.0-3.8T

GE Series Electric Counterweight Forklift Truck

BASIC TECHNICAL PARAMETERS

		ENSIGN	ENSIGN	ENSIGN
Brand		CPD30E	CPD35E	CPD38E
Model		Electric	Electric	Electric
Drive Form		3000	3500	3800
Rated lift capacity	(kg)	500	500	500
Load center distance	(mm)	80/202	80/202	80/202
Battery(Voltage/Capacity)	(V/Ah)			

PERFORMANCE PARAMETERS

Max.lift height	(mm)	3000	3000	3000
Free lift height	(mm)	125	130	130
Tilt angle(front/rear)	(°)	6/12	6/12	6/12
Max.lift speed(full load/no load)	(mm/s)	270/350	270/350	270/340
Max. lowering speed (full load / no load)	(mm/s)	450/410	450/410	450/410
Max.travelling speed(full load/no load)	(km/h)	12/13	11/12	12/13
Min.turning radius	(mm)	2560	2560	2730
Gradeability(full load/no load)	(%)	13/15	13/15	12/15
Overweight(with battery/without battery)	(kg)	4100/3920	4400/4200	4700/4500
Max.traction force	(KN)	14.2	14.2	12

DIMENSIONS

Length(without fork)	(mm)	2830	2835	2980	
Width	(mm)	1230	1230	1230	
Height	Height of mast	(mm)	2070	2130	2130
	Overall height (overhead guard)	(mm)	2150	2150	2150
	Height of load-backrest	(mm)	1225	1225	1225
	Overall height at max.lift	(mm)	4230	4230	4230
Min.ground clearance	(mm)	130	130	130	
Wheel base	(mm)	1750	1750	1900	
Wheel tread	Front wheel	(mm)	1000	1000	1000
	Rear wheel	(mm)	970	970	970
Front overhang	(mm)	477	482	480	
Rear overhang	(mm)	580	580	580	

OTHER PARAMETERS

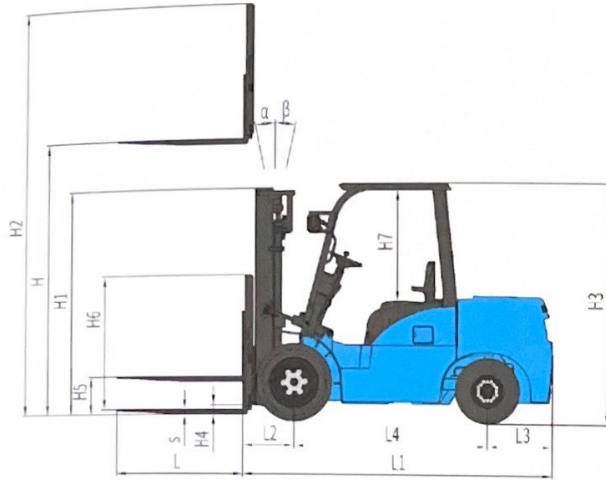
Tires	Front tires		28x9-15-14PR	28x9-15-14PR	28x9-15-14PR
	Rear tires		6.50-10-10PR	6.50-10-10PR	6.50-10-10PR
Fork size(L*W*H)	(mm)		1220×122×45	1220×122×50	1220×122×50
Battery box size(L*W*H)	(mm)		548×520×700	548×520×700	680×630×362

MOTOR

Rated power(Drive/Lift)	(kW/r)		10/16	10/16	10/16
-------------------------	--------	--	-------	-------	-------

*Under our policy of continuous improvement, we reserve the right to change specifications and designs without prior notice. The illustrations do not necessarily show the standard version of the machine.

CONTOUR

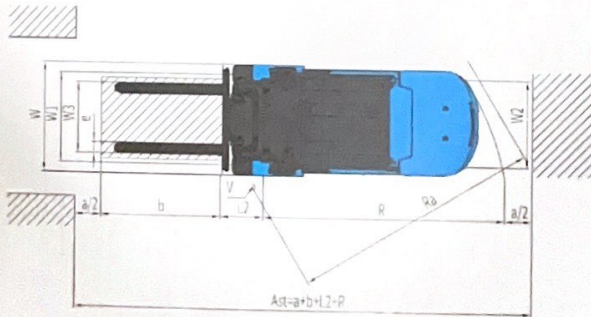


Ast: Right Angle Stacking Aisle Width (RASA) = $R + L2 + b + a$

a: Safety Clearance

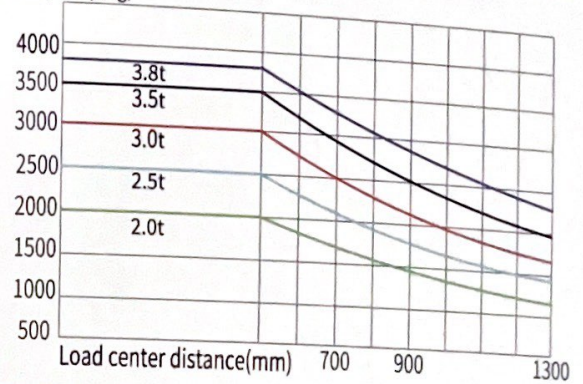
b: Load Length

v: Turning radius (inside)



Load Curve

Lifting capacity(kg)



Note: The vertical axis represents the load capacity, and the horizontal axis represents the load center. The load center is calculated from the front of the fork, and the base point of the standard load refers to the center of a cube with a side length of 1000 mm. When the mast is tilted forward, using non-standard forks or loading a load that exceeds the normal width, the load capacity will be reduced. The load curve diagram provides a timely understanding of the load carrying capacity at various load centers.

Optional Configuration

Charger	four-way valve	duplex full free mast	front windshield (with wiper)
cab	front dual tires	user specified color	high and low overhead guard
tool box	rear work lights	triplex full free mast	alarm light suspension seat
solid tires	fire extinguisher	forks of other lengths	widened or heightened load backrest

Attachments of FT

Side shifter	Roll Clamp	Rotary holding clamp	Rotary fork clamp
Load stabilizer	Fork crown cover	Barrel grab	Bale Clamp
Craton Clamp	Fork Positioner	Push-puller	Tilting shifter
Side-shifter	Cargo boom	Cargo boom	Spinner

Standard Configuration

Standard duplex mast	standard fork	fork rack	integrated combination switch	lifting and tilting control lever	speed mode selection
load backrest	silent gear pump	Canopy	emergency power off switch	reversing buzzer	traction pin
Standard seats	LED headlights	steering indicator	central rearview mirror	drive, lifting controller	on-board tool box
Standard seats	integral rubber pedal pad	two-way multi way valve	Hoisting for battery exchange	standard lead-acid battery	
multi-function control instrument	LED rear combination lamp				

Special Options for Mast

Full free duplex mast	Full free triplex mast	Widen fork	Extended load-backrest	Extended fork	Special fork
-----------------------	------------------------	------------	------------------------	---------------	--------------

Domestically Made Engine

Applicable model	Battery type	standard configuration	Optional configuration	Optional configuration	Optional configuration
GE 系列 2-2.5t	Lithium battery(76.8V)	150AH	202AH	280AH	100AH
GE 系列 3-3.5t	Lithium battery(76.8V)	202AH	280AH	404AH	150AH
GV 系列 2-3.8t	Lithium battery(153.6V)	150AH	230AH	280AH	/

3.0-3.8t Wide View Duplex Mast

Max lift height	Overall height at max lift									Free lift height						mast tilt angle		Rated load (single wheel)		
	Landing height of mast			Overall height at max lift						with load-backrest			Free lift height			front/Back		load center distance 500mm		
	3t	3.5t	3.8t	3t	3.5t	3.8t	3t	3.5t	3.8t	3t	3.5t	3.8t	3t	3.5t	3.8t	3/3.5t	3.8t	3t	3.5t	3.8t
mm	mm	mm	mm	mm	mm	mm	mm	mm	mm	mm	mm	mm	mm	mm	mm	(°)	(°)	(kg)	(kg)	(kg)
2000	1570	1625	1625	3175	3175	3180	2715	2715	2720	130	130	130	135	130	130	6°/12°	6°/12°	3000	3500	3800
2500	1820	1875	1875	3675	3675	3680	3215	3215	3220	130	130	130	135	130	130	6°/12°	6°/12°	3000	3500	3800
2700	1920	1975	1975	3875	3875	3880	3415	3415	3420	130	130	130	135	130	130	6°/12°	6°/12°	3000	3500	3800
3000	2070	2125	2125	4175	4175	4180	3715	3715	3720	130	130	130	135	130	130	6°/12°	6°/12°	3000	3500	3800
3300	2220	2275	2275	4475	4475	4480	4015	4015	4020	130	130	130	135	130	130	6°/12°	6°/12°	3000	3500	3800
3500	2320	2375	2375	4675	4675	4680	4215	4215	4220	130	130	130	135	130	130	6°/12°	6°/12°	3000	3500	3700
3600	/	/	/	/	/	/	/	/	/	/	/	/	/	/	/	/	/	/	/	/
3700	2420	2475	2475	4875	4875	4880	4415	4415	4420	130	130	130	/	130	130	6°/12°	6°/12°	3000	3500	3700
3750	/	/	/	/	/	/	/	/	/	/	/	/	135	/	/	/	/	/	/	/
3800	2470	2525	2525	4975	4975	4980	4515	4515	4520	130	130	130	/	130	130	6°/12°	6°/12°	3000	3500	3600
4000	2620	2675	2675	5175	5175	5180	4715	4715	4720	130	130	130	135	130	130	6°/12°	6°/12°	2850	3250	3550
4250	2745	2800	2800	5425	5425	5430	4965	4965	4970	130	130	130	135	130	130	6°/8°	6°/8°	2700	3000	3200
4300	/	/	/	/	/	/	/	/	/	/	/	/	/	/	/	/	/	/	/	/
4500	2870	2925	2925	5675	5675	5680	5215	5215	5220	130	130	130	135	130	130	6°/8°	6°/8°	2550	2850	3100
4750	2995	3050	3050	5925	5925	5930	5465	5465	5470	130	130	130	135	130	130	6°/8°	6°/8°	2250	2450	2800
4800	/	/	/	/	/	/	/	/	/	/	/	/	/	/	/	/	/	/	/	/
5000	3120	3175	3175	6175	6175	6180	5715	5715	5720	130	130	130	135	130	130	6°/8°	6°/8°	2100	2300	2600
5500	3420	3475	3475	6675	6675	6680	6215	6215	6220	130	130	130	135	130	130	6°/8°	6°/8°	2000	2200	2500
6000	3670	3725	3725	7175	7175	7180	6715	6715	6720	130	130	130	135	130	130	6°/8°	6°/8°	1800	1900	2300

Note: ① The lifting weight is reduced by 100KG when equipped with built-in side shifter, and 200KG when equipped with external side shifter; ② be matched with 7.5m and 8m mast.

3.0-3.8t Wide View Full Free Duplex Mast

Max lift height	Overall height at max lift									Free lift height						mast tilt angle		Rated load (single wheel)		
	Landing height of mast			Overall height at max lift						with load-backrest			Free lift height			front/Back		load center distance 500mm		
	3t	3.5t	3.8t	3t	3.5t	3.8t	3t	3.5t	3.8t	3t	3.5t	3.8t	3t	3.5t	3.8t	3/3.5t	3.8t	3t	3.5t	3.8t
mm	mm	mm	mm	mm	mm	mm	mm	mm	mm	mm	mm	mm	mm	mm	mm	(°)	(°)	(kg)	(kg)	(kg)
2000	1605	1605	/	3260	3257.5	/	2670	2672	/	420	417.5	/	906	890	/	6°/12°	6°/12°	3000	3500	3800
2250	/	/	/	/	/	/	/	/	/	/	/	/	1031	/	/	/	/	/	/	/
2500	1855	1855	1990	3760	3757.5	3655	3170	3172	3355	670	667.5	845	1156	1140	1140	6°/12°	6°/12°	3000	3500	3800
2700	1955	1955	2090	3960	3957.5	3855	3370	3372	3555	770	767.5	945	1256	1240	1240	6°/12°	6°/12°	3000	3500	3800
2750	/	/	/	/	/	/	/	/	/	/	/	/	1281	/	/	/	/	/	/	/
3000	2105	2105	2190	4260	4257.5	4145	3670	3672	3845	920	917.5	1045	1406	1390	1340	6°/12°	6°/12°	3000	3500	3800
3250	/	/	/	/	/	/	/	/	/	/	/	/	1531	/	/	/	/	/	/	/
3300	2255	2255	2390	4560	4557.5	4455	3970	3972	4155	1070	1067.5	1245	1556	1540	1540	6°/12°	6°/12°	3000	3500	3800
3500	2355	2355	2550	4760	4757.5	4755	4170	4172	4455	1170	1167.5	1405	1656	1640	1700	6°/12°	6°/12°	3000	3500	3800
3600	/	/	/	/	/	/	/	/	/	/	/	/	/	/	/	/	/	/	/	/
3660	/	/	/	/	/	/	/	/	/	/	/	/	1736	/	/	/	/	/	/	/
3700	2455	2455	/	4960	4957.5	/	4370	4372	/	1270	1267.5	/	1756	1740	/	6°/12°	6°/12°	3000	3500	3800
3750	2555	2555	/	5010	5007.5	/	4420	4422	/	1370	1367.5	/	1781	1840	/	6°/12°	6°/12°	2900	3400	3700
4000	2655	2655	2750	5250	5253.5	5155	4670	4668	4855	1470	1467.5	1605	1856	1940	1900	6°/12°	6°/12°	2850	3250	3550

Note: ① The lifting weight is reduced by 100KG when equipped with built-in side shifter, and 200KG when equipped with external side shifter; ② be matched with 7.5m and 8m mast.

3.0-3.8t Wide View Full Free Triplex Mast

Max lift height	Overall height at max lift									Free lift height						mast tilt angle		Rated load (single wheel)		
	Landing height of mast			Overall height at max lift						with load-backrest			Free lift height			front/Back		load center distance 500mm		
	3t	3.5t	3.8t	3t	3.5t	3.8t	3t	3.5t	3.8t	3t	3.5t	3.8t	3t	3.5t	3.8t	3/3.5t	3.8t	3t	3.5t	3.8t
mm	mm	mm	mm	mm	mm	mm	mm	mm	mm	mm	mm	mm	mm	mm	mm	(°)	(°)	(kg)	(kg)	(kg)
3600	1870	1870	1850	4775	4774	4770	4190	4188.5	4185	665	666.5	665	1155	1080	1080	6°/6°	6°/6°	2700	3000	3200
4000	1995	1995	1975	5175	5174	5170	4590	4588.5	4585	790	791.5	790	1280	1205	1205	6°/6°	6°/6°	2700	3000	3200
4300	/	/	/	/	/	/	/	/	/	/	/	/	/	/	/	/	/	/	/	/
4350	2120	2120	2100	5525	5524	5520	4940	4938.5	4935	915	916.5	915	1405	1330	1330	6°/6°	6°/6°	2500	2850	3200
4500	2170	2170	2150	5675	5674	5670	5090	5088.5	5085	965	966.5	965	1455	1380	1380	6°/6°	6°/6°	2400	2700	3100
4700	2240	2240	2215	5875	5874	5870	5290	5288.5	5285	1040	1038.5	1030	1520	1450	1445	6°/6°	6°/6°	2300	2500	2900
4800	2270	2270	2250	5975	5974	5970	5390	5388.5	5385	1070	1066.5	1065	1555	1480	1480	6°/6°	6°/6°	2250	2450	2800
5000	2420	2420	2350	6175	6174	6170	5590	5588.5	5585	1220	1216.5	1165	1698	1630	1580	6°/6°	6°/6°	2100	2300	2600
5400	2570	2570	2475	6575	6574	6571	5990	5988.5	5985	1370	1366.5	1290	1898	1780	1705	6°/6°	6°/6°	1650	1800	2050
5500	/	/	/	/	/	/	/	/	/	/	/	/	1932	/	/	/	/	/	/	/
6000	2770	2770	2700	7175	7174	7170	6590	6588.5	6585	1570	1566.5	1515	2165	1980	1930	3°/6°	3°/6°	1200	1300	1550
6500	2920	2920	2865	7675	7674	7670	7090	7088.5	7085	1720	1716.5	1680	2398	2130	2095	3°/6°	3°/6°	/	/	/
7000	3080	3080	3035	8170	8170	8170	7585	7584.5	7585	1880	1876.5	1850	/	2290	2265	3°/6°	3°/6°	/	/	/

Note: ① The lifting weight is reduced by 100KG when equipped with built-in side shifter, and 200KG when equipped with external side shifter; ② be matched with 7.5m and 8m mast.