



# 韩吉挖掘机属具

HOOJO EXCAVATOR ATTACHMENTS SINCE 2006

专业服务于： 拆迁工程 基础工程 市政工程 再生资源 矿山应用

# 公司简介

## COMPANY PROFILE



上海韩吉是20年来专注于研发、生产、销售，高端挖掘机属具的生产厂家，产品畅销全国各地及国外市场。

打造更多高效、节能的属具，成为值得信赖的属具品牌，是韩吉的宗旨。

We are one of the leading manufacturers of excavator attachments in China. Hoojo attachments are renowned for their quality, durability and cost effectiveness.

We offer a wide variety of attachments designed to improve the ROI of your construction equipment. We are continually expanding our attachment range to meet the evolving needs of the industry.

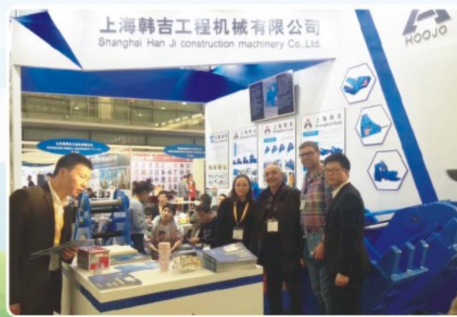
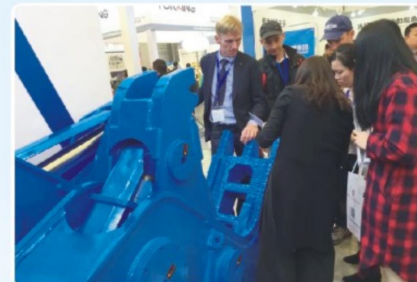
源头工厂 自产自销

挖机属具种类齐全 一站式采购

高端品质 中端价位 经久耐用 无后顾之忧

永追时代潮流 产品不断创新

买属具 找韩吉 不走弯路

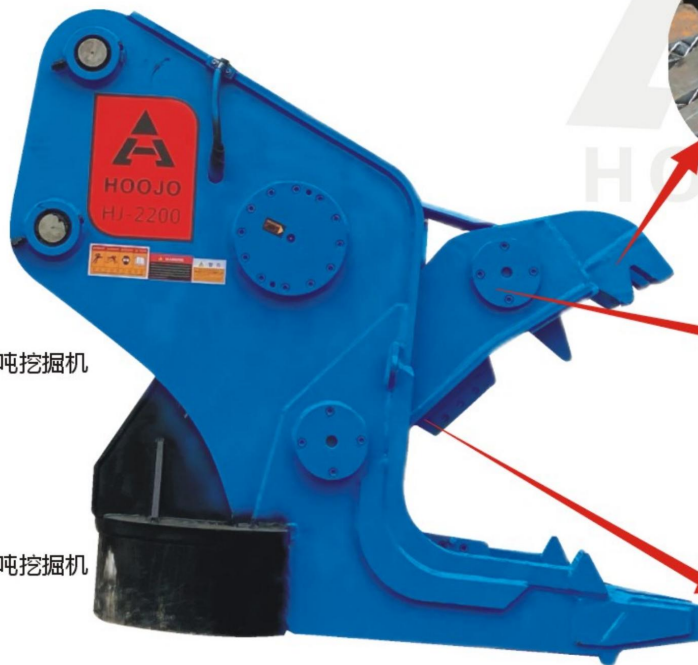


## 液压粉碎钳 Hydraulic Pulverizer

### 产品特点 Product characteristics

1. 选用优质材料, 先进的加工设备及热处理技术, 经过不断升级优化, 开口大、速度快、力道大、经久耐用。
2. 用途广: 房屋拆迁及混凝土破碎, 可快速实现混凝土和钢筋分离, 钢筋团子打包并装载上车; 还可以进行钢筋的剪切作业大大提高工作效率。
3. 安全性高: 实现全机械化操作, 无需人员参与危险作业。
4. 噪音低: 通过挤压方式粉碎大大降低了噪音和振动, 符合环保要求, 是理想的城市建筑物拆除破碎工具。

1. Select High-quality Materials, Advanced Processing Equipment And Heat Treatment Technology, Through Continuous Upgrading And Optimization, Large Openings, Speed, Strength, Durable.
2. Wide Use: House Demolition And Concrete Broken, Can Quickly Realize The Separation Of Concrete And Steel, Steel Balls Packed And Loaded On The Car, Can Also Be Reinforced Shear Operation Greatly Improve Efficiency.
3. High Safety: Fully Mechanized Operation, No Need For Personnel To Participate In Dangerous Operations.
4. Low Voice: Crushing By Means Of Extrusion Greatly Reduces The Noise And Vibration, In Line With Environmental Requirements, Is An Ideal Urban Building Demolition Crushing Tool



耐磨材料耐磨焊



高耐磨轴套



整体刀盒刀片加长加厚

### 产品参数

#### HJ150型

自重(Weight) : 1000kg

匹配(Excavator weight range) : 10-15吨挖掘机

开口(Max open jaw size) : 650mm

#### HJ220型顺置油缸

自重(Weight) : 1680kg

匹配(Excavator weight range) : 20-25吨挖掘机

开口(Max open jaw size) : 1015mm

#### HJ220型倒置油缸

自重(Weight) : 1600kg

匹配(Excavator weight range) : 20-25吨挖掘机

开口(Max open jaw size) : 890mm



扫一扫添加微信

# 韩吉双缸剪 Double Cylinder Shear

广泛应用于废旧货车车辆拆除、化工厂梁柱钢结构拆除、钢模板炉料加工、高架桥梁体拆除等工况。

Widely Used In The Dismantling Of Old Cargo Vehicles, Chemical Plant Beam And Column Steel Structure, Steel Formwork Furnace, Material Processing, Removal Of Elevated Bridges And Other Working Conditions.

## 产品特点 Product characteristics

1. 加大双油缸，力道强劲；配备了增速阀，加快张合速度，提高效率节约成本。
  2. 外壳采用特殊钢材，坚固耐磨，不易开裂。
  3. 刀片采用特殊专用材料，经久耐用，更换方便。
- 1.It is equipped with a speed-up valve to speed up the opening and closing, improve efficiency and save cost.  
2.The shell is made of special top steel, which is firm and wear-resistant and not easy to crack.  
3.The blade is made of special special materials, which is durable, easy to replace.



### 产品参数 (HJ290型)

- 自重(Weight) : 2940kg
- 匹配(Excavator weight range) : 20-30吨挖掘机
- 开口(Max open jaw size) : 740mm
- 剪口深度(Cutting depth) : 610mm
- 刀片长度(Knife length) : (里侧+前端侧) 350+260mm
- 剪切力(Cutting force) : (中央-前端) 2400-1080KN

### 产品参数 (HJ390型)

- 自重(Weight) : 4200kg
- 匹配(Excavator weight range) : 30-40吨挖掘机
- 开口(Max open jaw size) : 790mm
- 剪口深度(Cutting depth) : 710mm
- 刀片长度(Knife length) : (里侧+前端侧) 350+360mm
- 剪切力(Cutting force) : (中央-前端) 2565-1445KN



扫一扫添加微信

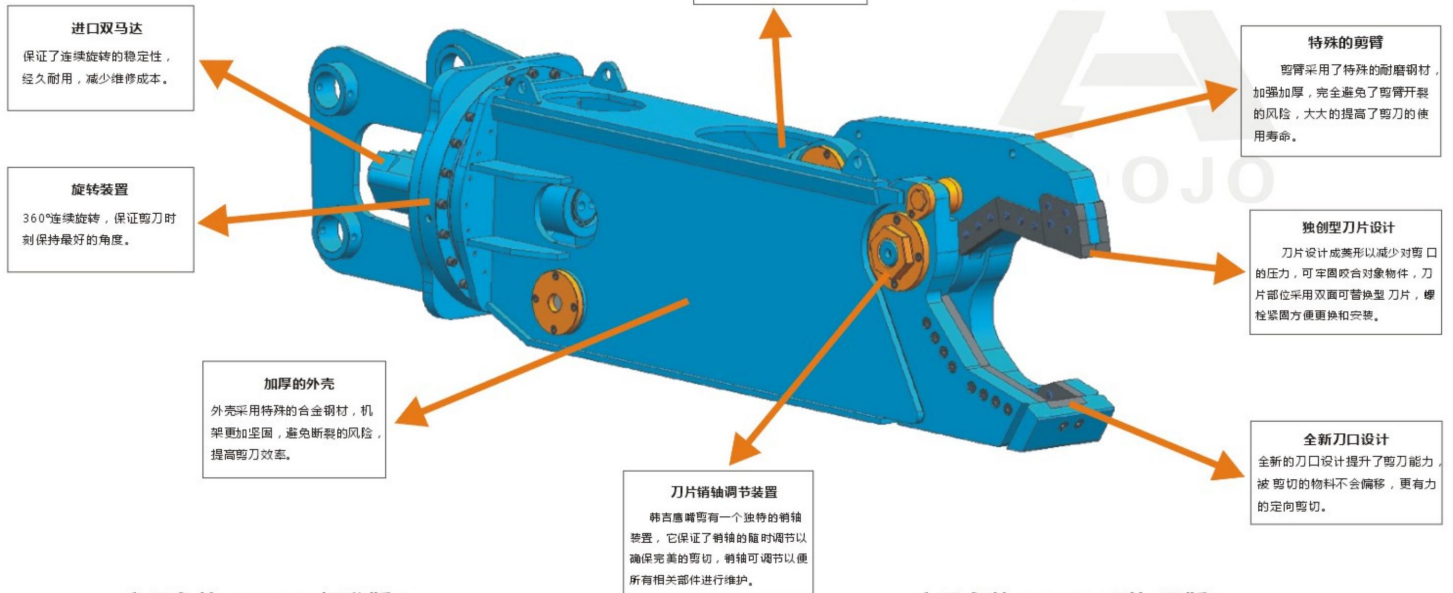
## 鹰嘴剪 Scrap Metal Shear

广泛应用于重型报废钢制品，厂房支重梁剪切，卡车大梁，火车，船舶拆解等。

Widely Used In Heavy Scrap Steel Products, Plant Beam Shear, Truck Beams, Trains, Ship Disassembly, Etc. .

### 产品特点 Product characteristics

1. 轻巧灵活、速度快。
  2. 加大油缸、力道强劲，进口油封耐磨超长，提高效率节约成本。
  3. 外壳采用特殊顶级钢材，坚固耐磨，不易开裂。
  4. 刀片采用特殊专用材料，经久耐用，更换方便。
  5. 进口双马达、扭矩大、性能稳定。
  6. 增加刀片调节装置，使刀片间隙调节更简单。
1. Lightweight And Flexible, Fast.
  2. Increase The Oil Cylinder, Strong Force, Imported Oil Seals Wear-resistant Super-long, Improve Efficiency And Save Costs.
  3. The Shell Used Special Top-grade Steel, Solid Wear-resistant, Not Easy To Crack;
  4. Blade Using Special Materials, Durable, Easy To Replace;
  5. Imported Dual-motor, Torque, Stable Performance.
  6. The blade gap adjustment is made easier by adding a blade adjustment device.



### 产品参数 (HJ220标准版)

自重(Weight) : 2000kg  
 匹配(Excavator weight range) : 20-25吨挖掘机  
 开口(Max open jaw size) : 480mm  
 剪刀深度(Cutting depth) : 540mm  
 剪切力(Cutting force) : 1500-3000KN

### 产品参数 (HJ280型加强版)

自重(Weight) : 2600kg  
 匹配(Excavator weight range) : 24-30吨挖掘机  
 开口(Max open jaw size) : 530mm  
 剪刀深度(Cutting depth) : 610mm  
 剪切力(Cutting force) : 2200-3400KN



扫一扫添加微信

## 单缸剪刀 Single Cylinder Shear

广泛应用于废旧货船车辆拆除、化工厂钢结构拆除、高速公路及高架桥梁体拆除等工况。  
Widely Used In The Dismantling Of Old Cargo Vehicles, Chemical Plant Steel Structure, Highway And Viaduct Bridge Dismantling And Other Work Conditions.

### 产品特点 Product characteristics

1. 轻巧灵活、速度快。
  2. 加大油缸、力道强劲、进口油封耐磨超长，提高效率节约成本。
  3. 外壳采用特殊顶级钢材，坚固耐磨，不易开裂。
  4. 刀片采用特殊专用材料，经久耐用，更换方便。投资少回报快。
1. Light And Flexible, Fast.
  2. Increase The Cylinder, Strong Force, Imported Oil Seals Wear-resistant Super-long, Improve Efficiency And Cost-saving.
  3. The Shell Is Made Of Special Top-grade Steel, Strong Wear-resistant, Not Easy To Crack.
  4. The Blade Is Made Of Special Material, Durable And Easy To Change. Less Investment, Faster Return.



### 产品参数 (HJ220型)

自重 (Weight) : 1500kg  
 匹配 (Excavator weight range) : 15-24吨挖掘机  
 开口 (Max open jaw size) : 580mm  
 刀片长度 (Knife length) : (里侧+前端侧) 500mm  
 剪切力 (Cutting force) : (中部-根部) 1200-1800KN



扫一扫添加微信

## 东洋韩系锤 Hydraulic Breaker

### 产品特点 Product characteristics

新一代节能、高效、可靠运行的典范，频率快力道大，可空枪击打。选用优质材料，先进的加工设备及热处理技术，经过不断升级优化，成为高性价比的破碎锤。

The New Generation Of Energy-saving, Efficient, Reliable Operation Model. Select High-quality Materials, Advanced Processing Equipment And Heat Treatment Technology, Through Continuous Upgrading And Optimization, Become A Cost-effective Crusher.



#### 产品参数

东洋锤

匹配(Excavator weight range):18-25吨左右机型

自重(Weight):1740公斤,

钎杆直径(Chisel Diameter) : 137mm



#### 产品参数

韩系锤

匹配(Excavator weight range) : 1-50吨左右机型

自重(Weight) : 120 - 4200公斤,

钎杆直径(Chisel Diameter) : 35-210mm



扫一扫加微信

## 移动粉碎斗 **Crusher Bucket**

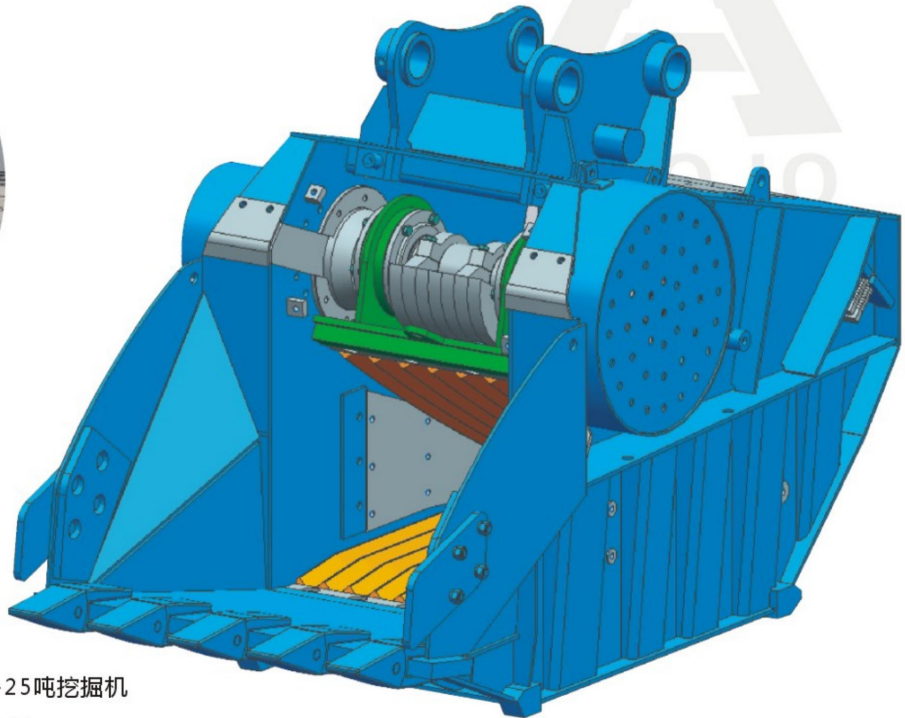
广泛运用于：矿山、道路维护、混凝土块、建筑垃圾等物料的破碎处理。

Widely Used In: Mining, Road Maintenance, Construction Waste Material Crushing Treatment.

### 产品特点 Product characteristics

1. 采用进口马达，高耐磨鄂板、产品经久耐用。
2. 实现建筑垃圾二次利用，原地粉碎回填，解决环保、运输，节约成本，为客户创造最大价值。
3. 双轴粉碎斗，增加了二次粉碎、让石料和沙分离开，石料更规范。

- 1.Imported Motors, High Wear-resistant Hubei Plate, Durable Products.
- 2.Realize The Secondary Utilization Of Construction Waste, Save Costs, Create Maximum Value For Customers.
- 3.Biaxial Crushing Bucket, Increased Secondary Crushing, Stone And Sand Separation, Stone More Regular.



### 产品参数 (220型)

自重(Weight) : 3000kg

匹配(Excavator weight range) : 19-25吨挖掘机

进料口(Feeding Inlet Size) : 620\*1180mm

出料口(Discharging Port Size) : 15\*120mm

斗容(Bucket Capacity) : 0.7m<sup>3</sup>

工作压力(Working Pressure) : 200bar

工作流量(Oil Flow) : 150L/min



扫一扫添加微信



## 旋转筛分斗 Sieving bucket

广泛运用于矿山、建筑工程、市政工程、化工行业等领域初级筛选废弃物材料、拆除材料、挖掘填埋材料、土石料、砂石料的分离等。石料场中用于大小石子分级以及分离泥土和石粉；煤炭行业用于块煤和煤粉的分离以及洗煤。

Widely Used In Mining, Construction Engineering, Municipal Engineering, Chemical Industry And Other Fields, Primary Screening Waste Materials, Demolition Materials, Excavation And Landfill Materials, Earth And Stone Materials, Sand And Stone Separation. In The Stone Yard, It Is Used For Grading Big And Small Stones And Separating Mud And Stone Powder; In The Coal Industry, It Is Used For Separating Lump Coal And Coal Powder And Washing Coal.

### 产品特点 Product characteristics

- 1.筛孔不易堵塞、筛分筒易于筛分，运行平稳、噪声较低。
  - 2.采用特制筛网、筛分效率高、使用寿命长，结构简单、维修方便。
  - 3.筛网孔规格可根据物料大小多种选择(10\*10mm--80\*80mm)、更换方便，大大减少机器损耗和操作难度。
- 1.The Screen Hole Is Not Easy To Plug, The Screen Cylinder Is Easy To Screen, Running Smoothly, Low Noise.  
2.Adopting Special Screen, High Screening Efficiency, Long Service Life, Simple Structure And Convenient Maintenance.  
3.Screen Mesh Size According To The Material Size Of A Variety Of Choices (10 \* 10mm-80 \* 80mm) , Easy To Replace, Greatly Reduce The Machine Loss And Operation Difficulty.

### 产品参数

韩吉2200

自重(Weight) : 2400kg

匹配(Excavator weight range) : 20-30吨挖掘机

斗容量(Bucket Capacity) : 2.4m<sup>3</sup>筛鼓

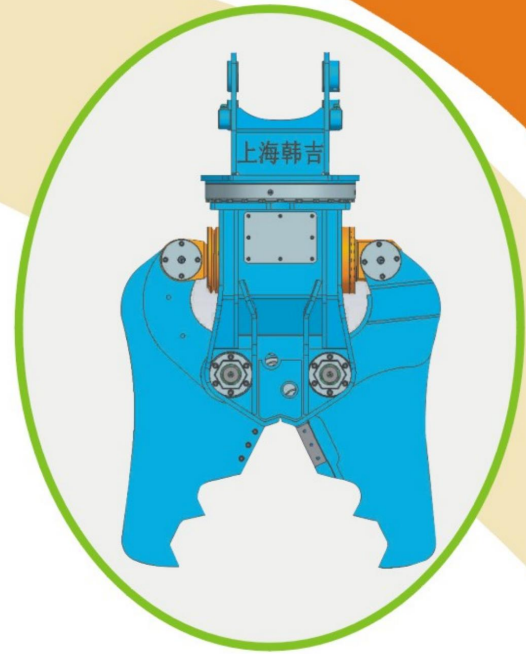
直径(Bucket Diameter) : 1400mm筛鼓

深度(Depth) : 998mm

转速(Speed) : 60转/分钟 RPM



扫一扫添加微信

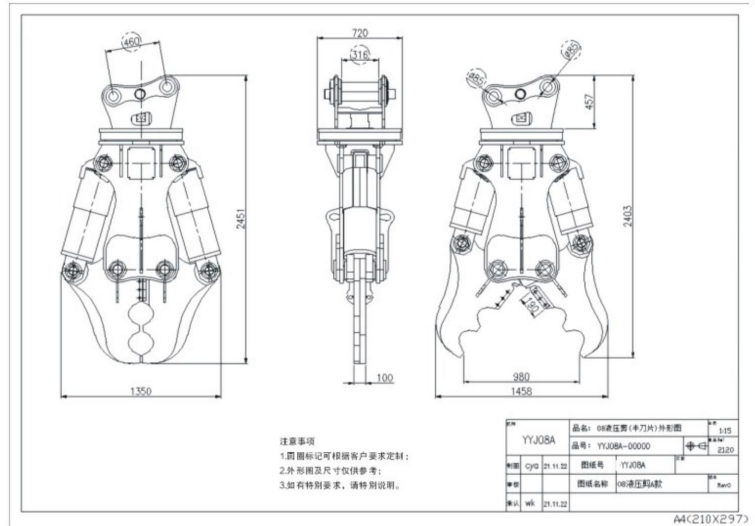


# 拆楼机 Demolition Crusher

广泛应用于：楼房拆除、各种混凝土破碎、钢筋剪切等作业。  
Widely Used In: Building Demolition, A Variety Of Concrete Crushing, Steel Shear And Other Operations.

## 产品特点 Product characteristics

1. 双油缸组合，使咬合力强劲，粉碎彻底。
  2. 刀片采用特殊专用材料，经久耐用，更换方便。
  3. 剪臂采用了特殊的耐磨钢材，加强加厚，完全避免了剪臂开裂的风险，大大的提高了设备的使用寿命。
1. double Oil Cylinder Combination, So That Strong Bite, Crushing Thoroughly.
  2. blade Using Special Materials, Durable, Easy To Replace.
  3. The Shear Arm Adopts Special Wear-resistant Steel, Strengthens Thickens, Completely Avoids The Risk Of The Shear Arm Cracking, And Greatly Improves The Service Life Of The Scissors.



### 产品参数 (HJ220型)

- 自重 (Weight) : 2100kg
- 匹配 (Excavator weight range) : 18-28吨挖掘机
- 开口 (Max open jaw size) : 980mm
- 刀片长度 (Knife length) : 200mm
- 剪切力 (Cutting force) : (中央-前端) 2200-1400KN



扫一扫添加微信

## 拆车剪 Dismantling Shear

适用于各类报废车、钢材的拆解作业。

Applicable To All Kinds Of Scrap Cars, Steel Disassembly Operations.

### 产品特点 Product characteristics

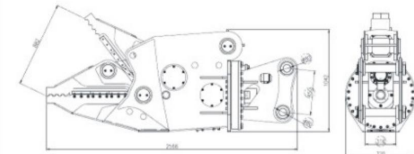
1. 轻巧灵活、速度快。
2. 加大油缸、力道强劲，进口油封耐磨超长，提高效率节约成本。
3. 外壳采用特殊顶级钢材，坚固耐磨，不易开裂。
4. 刀片采用特殊专用材料，经久耐用，更换方便。

1. Lightweight And Flexible, Fast;
2. Increase The Oil Cylinder, Strong Force, mported Oil Seals Wear-resistant Super-long, Improve Efficiency And Save Costs;
3. The Shell Used Special Top-grade Steel, Solid Wear-resistant, Not Easy To Crack;
4. Blade Using Special Materials, Durable, Easy To Replace;



### 产品参数(HJ220型)

- 自重(Weight) : 2060kg
- 匹配(Excavator weight range) : 18-24吨挖掘机
- 开口(Max open jaw size) : 800mm
- 刀片长度(Knife length) : 200 - 460mm
- 剪切力(Cutting force) : (中部-根部) 1100-1500KN



HJ220型拆车剪 主要零件清单		
1	刀片	1000
2	油缸	100
3	液压油缸	100
4	销轴	100
5	销轴(2x)	100
6	销轴(2x)	100
7	销轴(2x)	100
8	销轴(2x)	100
9	销轴(2x)	100
10	销轴(2x)	100
11	销轴(2x)	100
12	销轴(2x)	100
13	销轴(2x)	100
14	销轴(2x)	100
15	销轴(2x)	100
16	销轴(2x)	100
17	销轴(2x)	100
18	销轴(2x)	100
19	销轴(2x)	100
20	销轴(2x)	100
21	销轴(2x)	100
22	销轴(2x)	100
23	销轴(2x)	100
24	销轴(2x)	100
25	销轴(2x)	100
26	销轴(2x)	100
27	销轴(2x)	100
28	销轴(2x)	100
29	销轴(2x)	100
30	销轴(2x)	100
31	销轴(2x)	100
32	销轴(2x)	100
33	销轴(2x)	100
34	销轴(2x)	100
35	销轴(2x)	100
36	销轴(2x)	100
37	销轴(2x)	100
38	销轴(2x)	100
39	销轴(2x)	100
40	销轴(2x)	100
41	销轴(2x)	100
42	销轴(2x)	100
43	销轴(2x)	100
44	销轴(2x)	100
45	销轴(2x)	100
46	销轴(2x)	100
47	销轴(2x)	100
48	销轴(2x)	100
49	销轴(2x)	100
50	销轴(2x)	100
51	销轴(2x)	100
52	销轴(2x)	100
53	销轴(2x)	100
54	销轴(2x)	100
55	销轴(2x)	100
56	销轴(2x)	100
57	销轴(2x)	100
58	销轴(2x)	100
59	销轴(2x)	100
60	销轴(2x)	100
61	销轴(2x)	100
62	销轴(2x)	100
63	销轴(2x)	100
64	销轴(2x)	100
65	销轴(2x)	100
66	销轴(2x)	100
67	销轴(2x)	100
68	销轴(2x)	100
69	销轴(2x)	100
70	销轴(2x)	100
71	销轴(2x)	100
72	销轴(2x)	100
73	销轴(2x)	100
74	销轴(2x)	100
75	销轴(2x)	100
76	销轴(2x)	100
77	销轴(2x)	100
78	销轴(2x)	100
79	销轴(2x)	100
80	销轴(2x)	100
81	销轴(2x)	100
82	销轴(2x)	100
83	销轴(2x)	100
84	销轴(2x)	100
85	销轴(2x)	100
86	销轴(2x)	100
87	销轴(2x)	100
88	销轴(2x)	100
89	销轴(2x)	100
90	销轴(2x)	100
91	销轴(2x)	100
92	销轴(2x)	100
93	销轴(2x)	100
94	销轴(2x)	100
95	销轴(2x)	100
96	销轴(2x)	100
97	销轴(2x)	100
98	销轴(2x)	100
99	销轴(2x)	100
100	销轴(2x)	100

拆车剪附件清单仅供参考，实际尺寸以实物为准。



扫一扫添加微信

# 双缸抓钢器 (抓石器)

## Hydraulic Rotation Grapple

广泛应用于木材厂、石料场、再生资源物料装卸作业，360度旋转、精准作业。

Widely Used In Wood Factories, Stone Yards, Renewable Resources Material Handling Operations, 360 Degrees Of Rotation, Precision Operations.

### 产品特点 Product characteristics

1. 轻巧灵活、速度快。
  2. 加大油缸、抓力强、进口油封耐磨超长，提高效率节约成本。
  3. 外壳采用特殊顶级钢材，坚固耐磨，不易开裂。
- 1.Light And Flexible, Fast.  
2.Increase The Cylinder, Strong Force, Imported Oil Seals Wear-resistant Super-long, Improve Efficiency And Cost-saving.  
3.The Shell Is Made Of Special Top-grade Steel, Strong Wear-resistant, Not Easy To Crack.



### 技术参数

#### 04款

自重(Weight) : 390kg  
匹配(Excavator weight range) : 7-11吨挖掘机  
开口 (Max open jaw size) : 1400mm

#### 06款

自重(Weight) : 740kg  
匹配(Excavator weight range) : 12-16吨挖掘机  
开口 (Max open jaw size) : 1800mm

#### 08款

自重(Weight) : 1380kg  
匹配(Excavator weight range) : 17-23吨挖掘机  
开口(Max open jaw size) : 2300mm

#### 10款

自重(Weight) : 1700kg  
匹配(Excavator weight range) : 24-30吨挖掘机  
开口(Max open jaw size) : 2500mm



# 机械抓钢器

## Mechanical Grapple

广泛应用于木材厂、再生资源物料装卸作业。

Widely Used In Wood Factory, Renewable Resources Material Handling Operations. Product Features: Large Opening, Lightweight And Flexible;

### 产品特点 Product characteristics

1. 开口大、力道强劲、抓力强、轻巧灵活；
  2. 外壳采用特殊钢材，坚固耐磨，不易开裂同时设计有安全保护阀，防止物料脱落，使用更安心。
- 1.Large Opening, Strong Grip, Light And Flexible;  
2.The Shell Is Made Of Special Steel, Strong And Wear-resistant, Not Easy To Crack And Safety Valve Is Designed To Prevent Material From Falling Off.



04款  
自重(Weight) : 300kg  
匹配(Excavator weight range) : 4-10吨挖掘机  
开口(Max open jaw size) : 1300mm



06款  
自重(Weight) : 500kg  
匹配(Excavator weight range) : 10-18吨挖掘机  
开口(Max open jaw size) : 1800mm



08款  
自重(Weight) : 900kg  
匹配(Excavator weight range) : 20-30吨挖掘机  
开口(Max open jaw size) : 2000mm



10款  
自重(Weight) : 1100kg  
匹配(Excavator weight range) : 20-30吨挖掘机  
开口(Max open jaw size) : 2200mm



扫一扫添加微信



## 液压打拔桩机 Hydraulic pile driver

应用范围：

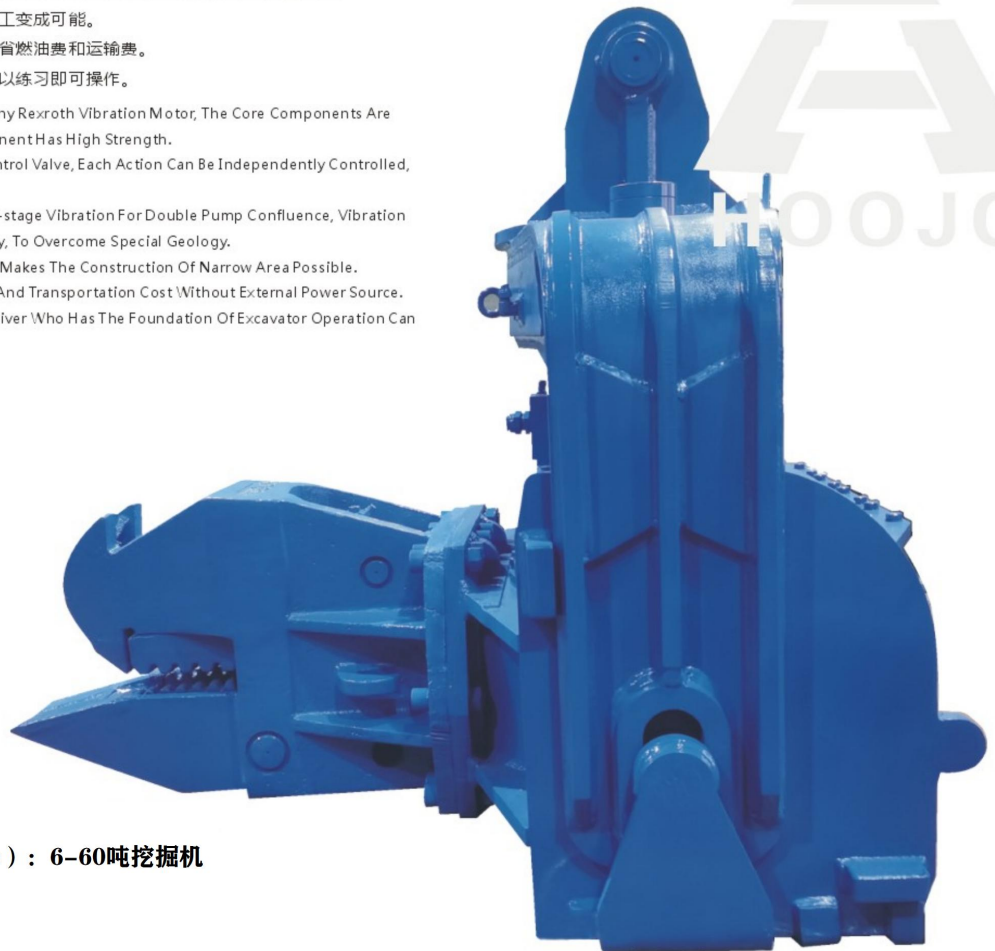
1. 通过配合不同夹具可沉拔木桩、水泥桩、钢板桩、钢管桩、H型钢、钢护筒等。
2. 任何品牌的6吨-60吨挖掘机皆可适用安装。
3. 广泛应用于：河道堤坝、房屋地基、市政管网、高架桥梁、光伏桩基等基础施工领域。

Application:

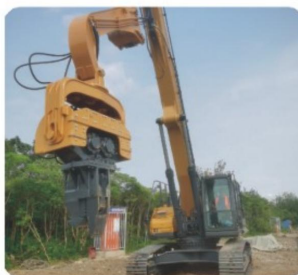
1. Through Different Clamps Can Be Sinking And Pulling Wood Pile, Cement Pile, Steel Sheet Pile, Steel Pipe Pile, H-steel, Steel Tube, And So On.
2. Any Brand Of 6-60 Tons Of Excavators Are Suitable For Installation.
3. Widely Used In: River Embankment, Building Foundation, Municipal Pipe Network, Viaduct, Photovoltaic Pile Foundation And Other Foundation Construction Fields.

### 产品特点 Product characteristics

1. 整机配置高，德国力士乐振动马达，核心部件均为进口一线品牌，各结构件强度高。
  2. 控制系统采用集成式进口控制阀，各动作可独立控制，方便维护与检修。
  3. 振动频率两级可控，二级振动为双泵合流，激振力大幅提升、振动频率高，克服特殊地质。
  4. 小型化、轻型化的尺寸设计，让狭小区域的施工变成可能。
  5. 利用挖掘机的液压系统，不需外接动力源，节省燃油费和运输费。
  6. 操作简单易学，具有挖掘机操作基础的司机加以练习即可操作。
1. The Whole Machine Configuration Is High, Germany Rexroth Vibration Motor, The Core Components Are Imported First-line Brand. Each Structural Component Has High Strength.
  2. The Control System Adopts Integrated Import Control Valve, Each Action Can Be Independently Controlled, Convenient Maintenance And Repair.
  3. Vibration Frequency Two-stage Controllable, Two-stage Vibration For Double Pump Confluence, Vibration Force Greatly Increased, High Vibration Frequency, To Overcome Special Geology.
  4. The Size Design Of Miniaturization And Lightness Makes The Construction Of Narrow Area Possible.
  5. The Hydraulic System Of Excavator Can Save Fuel And Transportation Cost Without External Power Source.
  6. The Operation Is Simple And Easy To Learn. The Driver Who Has The Foundation Of Excavator Operation Can Operate It By Practicing.



匹配 (Excavator weight range) : 6-60吨挖掘机



扫一扫添加微信

# 液压螺旋钻机

## Hydraulic Auger

液压螺旋钻机分四部分组成：连接架、驱动头、钻杆、油管。其中驱动头（动力头）是整机的核心部分，我们使用进口马达保证其品质。采用精密度很高的齿轮减小整机作业中的摩擦，减少磨损，增加使用寿命，降低噪音，美化环境。其中钻杆是耐磨件，齿和齿尖采用耐磨坚硬的硬质合金，而且研发了防震锁止钻齿，部件经久耐用。

The Hydraulic Auger Is Composed Of Four Parts: Connecting Frame, Driving Head, Drill Pipe And Oil Pipe. Driving Head (power Head) Is The Core Part Of The Machine, We Use Imported Motor To Ensure Its Quality. Adopt High Precision Gear To Reduce Friction, Reduce Wear, Increase Service Life, Reduce Noise, Beautify The Environment. Drill Pipe Is Wear-resistant Parts, Teeth And Tooth Tip Wear-resistant Hard Carbide, And The Development Of Shock-resistant Lock Drill Teeth, Durable Components.

### 产品特点 Product characteristics

1. 液压螺旋钻机，高效旋转，专业成孔。
2. EATON马达，持久耐用，省心省力。
3. 三种钻杆，适合各种土质，常规产品3个工作日内发货，又好又快。
4. 全系列型号匹配各种装备、挖机、滑移装载机、吊机、两头忙、拖拉机等。
5. 动力头整机质保12个月。

Light And Flexible, Fast; Increase The Cylinder, Strong Force, Imported Oil Seals Wear-resistant Super-long, Improve Efficiency And Cost-saving; The Shell Is Made Of Special Top-grade Steel, Strong Wear-resistant, Not Easy To Crack. The Blade Is Made Of Special Material, Durable And Easy To Change. Less Investment, Faster Return.

#### 连接架

双轴防摆连接架确保垂直地面精准孔位，操作方便



#### 驱动头

液压马达 美国知名品牌—伊顿



#### 钻杆连接套筒

多种输出轴可以满足你的不同需求



#### 钻杆连接套筒

岩石钻杆适用于软岩矿石等，穿越性好



#### 管路

高质量韧性好，使用寿命长



#### 钻杆

耐磨材料，点焊工艺抛丸结合，耐磨，使用寿命长



#### 齿尖和齿

合金钻适用于软土、沙土、粘土等，排土性能好



### 产品参数

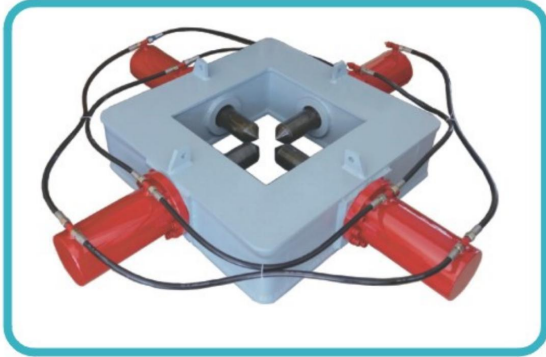
匹配(Excavator weight range) :  
3吨-65吨机型



扫一扫添加微信

## 方型破桩机

450\*450-500\*500的方型桩混凝土的破碎。  
匹配(Excavator weight range) : 6吨及以上机型。



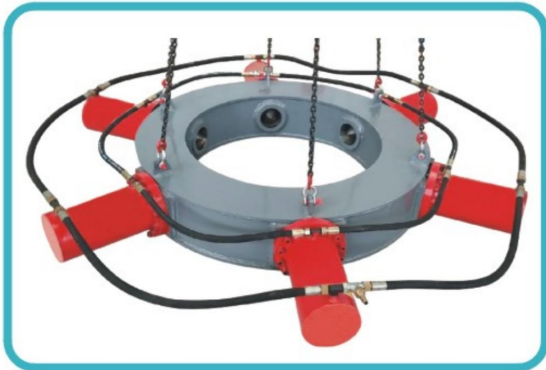
## 爪式方桩破桩机

500-500的方型桩，预制桩头的破碎。  
匹配(Excavator weight range) : 10吨及以上机型。



## 圆环固定式破桩机

700-800圆柱形混凝土的破碎及烟囱的破碎拆除。  
匹配(Excavator weight range) : 10吨及以上机型。



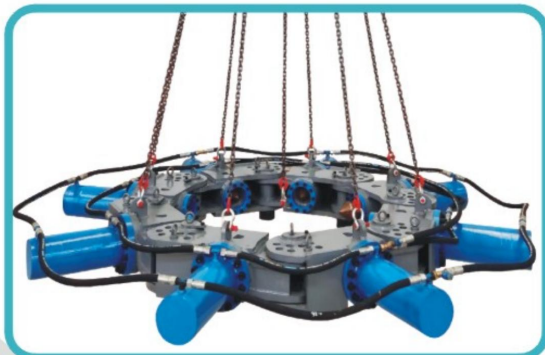
## 爪式圆桩破桩机

600mm圆形柱  
匹配(Excavator weight range) : 10吨及以上机型。



## 模块式破桩机

600-2500圆柱形混凝土桩头的破碎、混凝土管桩的破碎、烟囱的破碎拆除等。  
匹配(Excavator weight range) : 20-40吨液压系统，模块多少确定挖掘机吨位。



扫一扫添加微信

## 震动夯 Vibration tamping

适用于多种地形松散地面夯实、平面、斜面、多槽夯实。

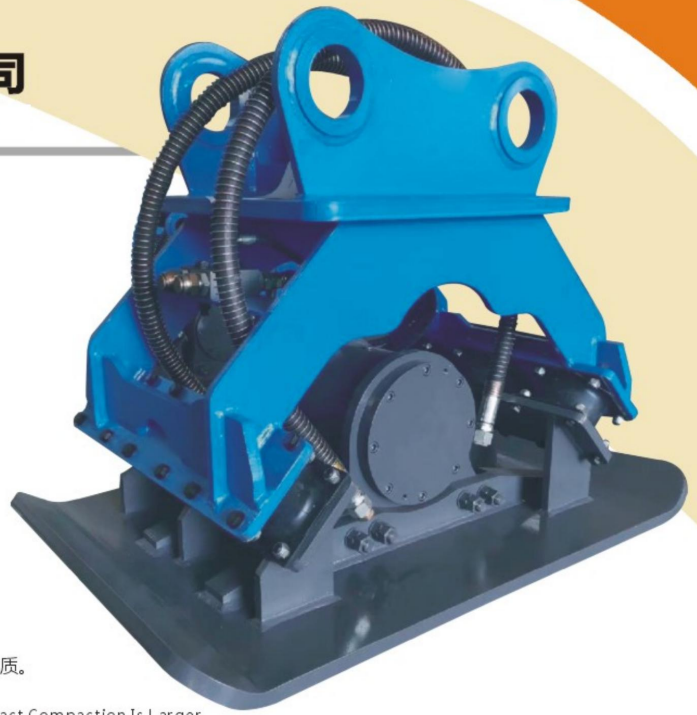
主要用于：新旧路面结合部位、路间边坡、铁路堤坝等路基

Applicable To A Variety Of Terrain Loose Ground Tamping, Plane, Inclined, Multi-groove Tamping. Mainly Used For: New And Old Road Surface Joint, Road Slope, Railway Embankment And Other Roadbed

### 产品特点 Product characteristics

1. 激振力大于普通平板夯、冲击压实振幅大。
2. 填层厚度大，压实度可达到高速公路等高等级基础的要求。
3. 使用进口液压振动马达、坚固耐用。
4. 采用瑞典进口圆柱滚子轴承、低噪音、高速可靠。关键部位材料选用高强度耐磨板、保证品质。

1. The Exciting Force Is Larger Than That Of Ordinary Plate Compactor And The Amplitude Of Impact Compaction Is Larger.
2. The Thickness Of Filling Layer Is Large, And The Compaction Degree Can Meet The Requirements Of High-grade Foundation Such As Expressway.
3. Use Imported Hydraulic Vibration Motor, Strong And Durable. Using Imported Swedish Cylindrical Roller Bearings, Low Noise, High-speed And Reliable.
4. Key Parts Of The Material Selection Of High-strength Wear-resistant Plate, To Ensure Quality.



### 产品参数

02 - 10款

自重(Weight) : 110 - 950kg

匹配(Excavator weight range) : 2-30吨挖掘机

## 快速连接器 (机械、液压、双保险)

Fast Connector (mechanical, hydraulic, double safety)

1. 采用高强度优质材料，经久耐用。
2. 安装方便，迅速高效，轻松实现挖掘机不同前端属具的装卸；
3. 适用于1.5吨-80吨各种型号挖掘机。

1. High-strength And High-quality Materials, Durable.
2. Easy To Install, Fast And Efficient, Easy To Achieve Different Front End Of The Excavator Equipment Loading And Unloading.
3. Applicable to 1.5 tons -80 tons of various types of excavators.

### 产品参数

02 - 20款

自重(Weight) : 25 - 600kg

匹配(Excavator weight range) :

1-50吨挖掘机



## 铲斗夹 Bucket clamp

广泛应用于：碎石场地、建筑垃圾等各种中小型材料的装卸作业。  
Widely Used In: Gravel Sites, Construction Waste And Other Small And Medium-sized Materials On Loading And Unloading Operations.

### 产品参数

02 - 10款

自重(Weight) : 180 - 1860kg

匹配(Excavator weight range) : 2-30吨挖掘机



### 产品特点 Product characteristics

1. 采用内置型安全阀，防止油缸自然掉臂。
  2. 油缸采用研磨管，进口油封，工作周期短、寿命长。
  3. 安装方便，接破碎锤管路，使用双向脚踏阀。
1. Use Built-in Safety Valve, To Prevent The Natural Cylinder Arm Off.  
2. The Oil Cylinder Adopts Grinding Pipe, Imported Oil Seal, Short Working Period And Long Service Life.  
3. Easy To Install, Connect Broken Hammer Pipeline, The Use Of Two-way Foot Valve.



## 松土器 Equipment used to loosen soil

广泛应用于较硬的硬土层、冻土层及软石、风化石等地质的松散作业。  
It Is Widely Used In The Loose Operation Of Hard Soil, Frozen Soil, Soft Stone, Weathered Stone And So On

### 产品特点 Product characteristics

1. 松土器采用高强度锰钢加工制作，性能优良、经久耐用；
  2. 适用于各吨位挖机装配需求；
  3. 采用优质的前端斗齿，并在关键部位进行加固，保证产品的质量与安全。
1. The Earth Looser Is Made Of High Strength Manganese Steel With Excellent Performance And Durability.  
2. Suitable For Various Tonnage Excavator Assembly Needs.  
3. High-quality Front Bucket Teeth, And In The Key Parts Of The Reinforcement To Ensure Product Quality And Safety.



### 产品参数

02 - 14款

自重 (Weight) : 60 - 775kg

匹配(Excavator weight range) : 4-40吨挖掘机



## 其他属具 Other utensils

采用特殊优质合金钢，经过先进的生产制造工艺，使其具有高强度，高耐磨度，高韧性的优良机械性能。

Adopt Special High-quality Alloy Steel, Through Advanced Manufacturing Process, So That It Has High Strength, High Wear Resistance, High Toughness Of Excellent Mechanical Properties.



莲花爪



贝壳斗



打草机



吸盘



机械钳



垃圾分离爪



锤背夹



**Professional Excavator Attachment Solutions**

**Thank you for choosing**

**HOOJO Shanghai Construction Machinery Co., Ltd.**

Website: [www.shhoojo.com](http://www.shhoojo.com)

Tiktok: [shanghai.hoojo](https://www.tiktok.com/shanghai.hoojo)

Facebook: [HOOJO\\_Attachment](https://www.facebook.com/HOOJO_Attachment)

YouTube: [@HOOJO\\_Attachments](https://www.youtube.com/@HOOJO_Attachments)

WhatsApp: [+86 15317731989](https://wa.me/8615317731989) \ [+86 13764735368](https://wa.me/8613764735368) \ [+86 13917968428](https://wa.me/8613917968428)

