



MVH-150D



MVH-306DSC



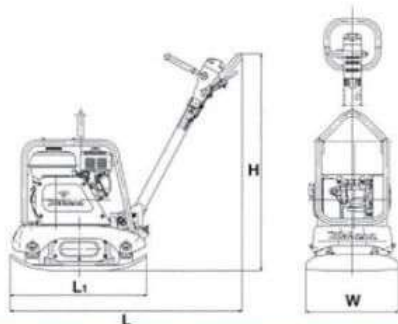
MVH-502DSB



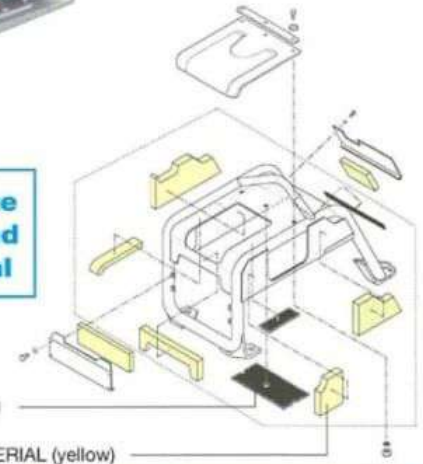
MVH-306GH



MVH-406GH



Original Guard Frame  
With Special Sound  
Absorbing Material



DAMPING MATERIAL (gray)

SOUND ABSORBING MATERIAL (yellow)

model	dimensions	plate size	vibrating frequency	centrifugal force(max.)	max. traveling speed	limited gradeability (max)	power source
MVH-150D	H : 920mm L : 1,130mm WT : 158kg	W : 430mm L1 : 700mm	90Hz (5,400V.P.M)	27.0kN (2,750kgf)	25m/min	35%	Yanmar L48N max.output 3.5kW(4.7PS) diesel engine
MVH-306DSC	H : 970mm L : 1,570mm WT : 346kg	W : 445mm (595mm) (745mm) L1 : 860mm	73Hz (4,400V.P.M)	45.0kN (4,600kgf)	23m/min	35%	Yanmar L70N max.output 4.9kW(6.7PS) diesel engine electric start
MVH-406DSC	H : 930mm L : 1,610mm WT : 430kg	W : 500mm (650mm) (800mm) L1 : 900mm	73Hz (4,400V.P.M)	50.0kN (5,100kgf)	23m/min	35%	Yanmar L100N max.output 7.4kW(10.0PS) diesel engine electric start
MVH-502DSB	H : 950mm L : 1,680mm WT : 560kg	W : 550mm (700mm) (850mm) L1 : 900mm	67Hz (4,000V.P.M)	61.7kN (6,300kgf)	23m/min	35%	Hatz 1D81S max.output 9.7kW(13.2PS) diesel engine electric start
MVH-306GH	H : 970mm L : 1,570mm WT : 308kg	W : 445mm (595mm) (745mm) L1 : 860mm	73Hz (4,400V.P.M)	45.0kN (4,600kgf)	23m/min	35%	Honda GX270 max.output 6.0kW(8.2PS)
MVH-406GH	H : 930mm L : 1,610mm WT : 370kg	W : 500mm (650mm) (800mm) L1 : 900mm	77Hz (4,600V.P.M)	55.0kN (5,600kgf)	24m/min	35%	Honda GX390 max.output 8.2kW(11.1PS)

Weight includes weigh of machine, lubricants, 50% of fuel and 50% of water in case with water tank option.  
Features and specifications are subject to change without notification.