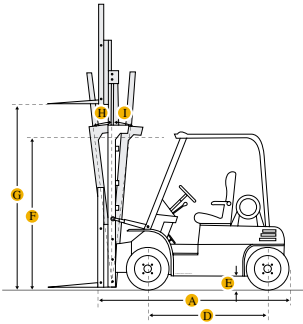
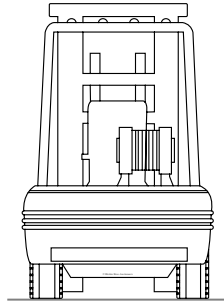
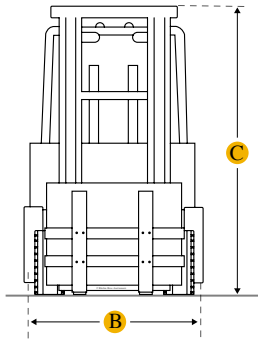


EP CPCD70 Forklift



Units Imperial Metric

Dimensions

A	Length To Fork Face	3600 mm
B	Overall Width	1990 mm
C	Overall Height - Mast Lowered	2500 mm
D	Wheelbase	2250 mm
E	Ground Clearance	170 mm
F	Height To Top Of Overhead Guard	2280 mm
G	Max Fork Height	4420 mm
	Right Angle Stack	3895 mm
	Turning Radius	3200 mm
Mast		
H	Mast Tip Forward	6 degrees
I	Mast Tip Rear	12 degrees
	Load Capacity	7000 kg
	Max Fork Spread	1530 mm
	Load Center	600 mm
	Lift Speed	20.4 m/min

Specifications

Engine	
Engine Make	2353
Engine Model	68G1QP
Power	84.6 kw
Torque	411 Nm
Displacement	6.5 L
Fuel Type	diesel

Operational

Operating Weight	9300 kg
Tire Type	front 8.25-15-14PR rear 8.25-15-14PR
Max Speed	24 km/h