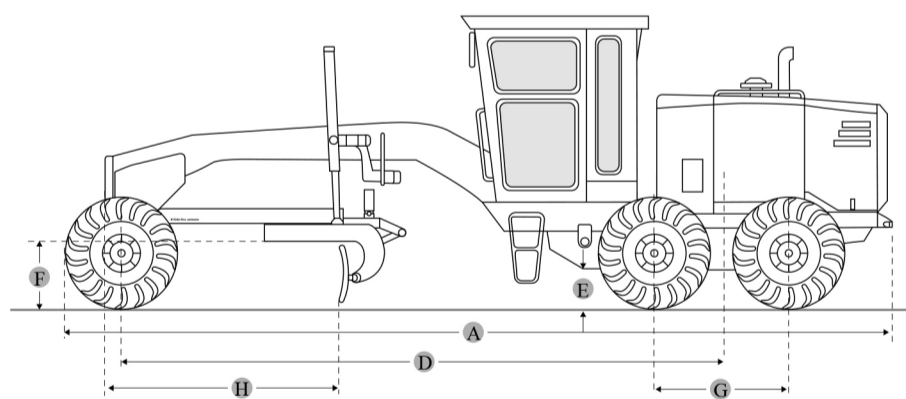
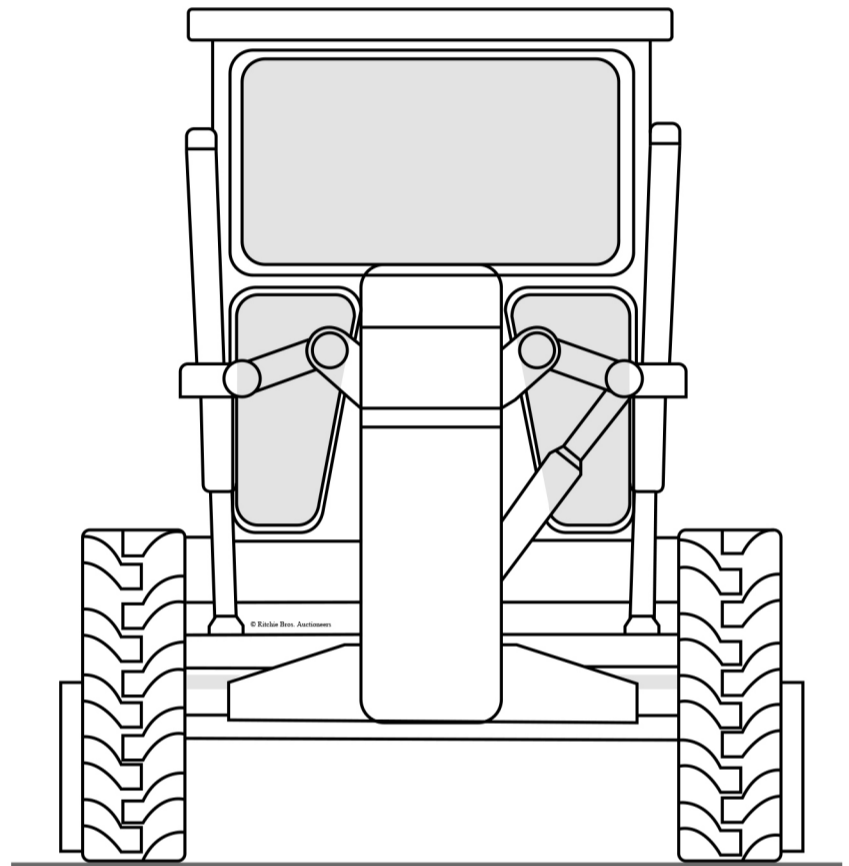
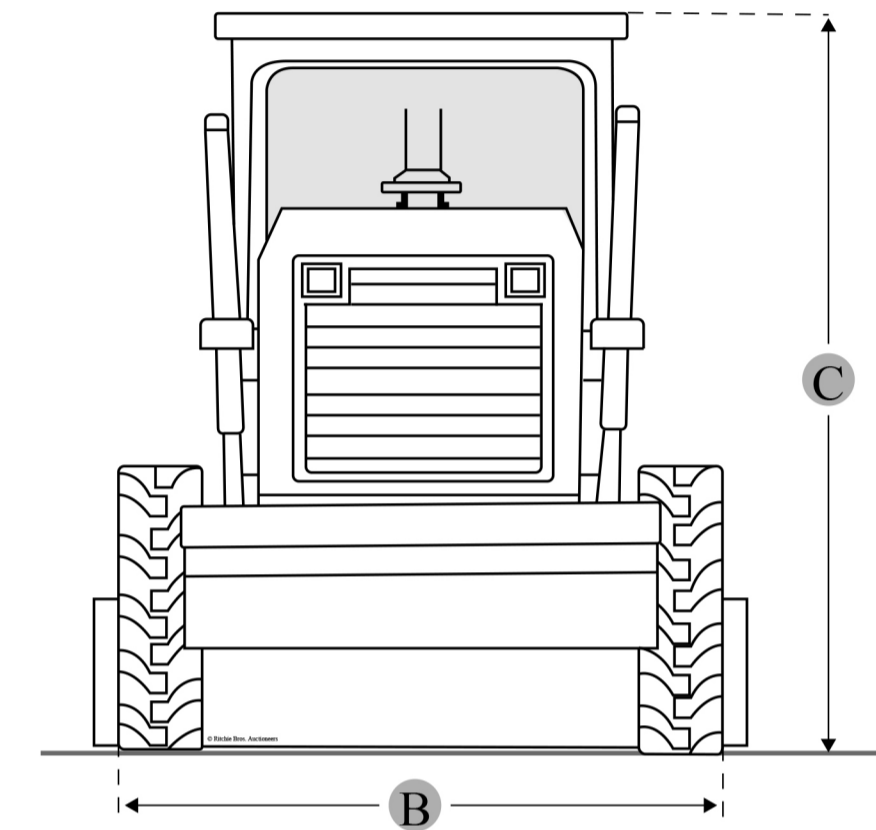


SPECIFICATION

Komatsu GD405A Motor Grader



Units

Imperial

Metric

Dimensions

Dimensions	
A Overall Length	7025 mm
B Width Over Tires	2165 mm
D Wheelbase	4900 mm
E Rear Ground Clearance	300 mm

Top

F Front Ground Clearance	435 mm
G Tandem Axle Wheelbase	1305 mm
H Blade Base	2100 mm

Specifications

Engine	
Engine Make	2238
Engine Model	6D105
Net Power Gear 5-6	82.1 kw
Max Power	82.1 kw
Net Torque Gears 5-6	382.4 Nm
Displacement	6.5 L
Operational	
Std Operation Weight - Front Axle	2550 kg
Std Operation Weight - Rear Axle	6330 kg
Std Operation Weight - Total	8880 kg
Tire Size	front 9.00-20-10PR, rear 11.00-20-10PR
Steering	
Articulation Angle	27 degrees
Turning Radius	5.6 m
Transmission	
Transmission Type	hydroshift
Number of Gears - Forward	6
Number of Gears - Reverse	6
Max Speed - Forward	42 km/h
Max Speed - Reverse	45 km/h

Front Axle	
Wheel Lean	22 degrees
Oscillation - Total	26 degrees
Ground Clearance	435 mm
Moldboard	
Moldboard Width	3100 mm
Moldboard Height	625 mm
Moldboard Thickness	19 mm
Max Depth of Cut	440 mm
Circle	
Max Reach Outside Tires - Left	1370 mm
Max Reach Outside Tires - Right	1420 mm
Max Lift Above Ground	360 mm
Dimensions	
Height to Top of Isomount Cab	3315 mm
Overall Length	7025 mm
Width Over Tires	2165 mm
Wheelbase	4900 mm
Blade Base	2100 mm
Tandem Axle Wheelbase	1305 mm
Rear Ground Clearance	300 mm
Front Ground Clearance	435 mm

Compare similar models

Manufacturer / Model	Max Power	Std Operation Weight - Total	Moldboard Width
<input type="checkbox"/> Komatsu GD31RC-3A	110 hp	19687.3 lb	10.2 ft in

Top

<input type="checkbox"/> <u>Bolinder Munktell</u> <u>VHK110</u>	110 hp	21649.4 lb	10.1 ft in
<input type="checkbox"/> <u>Mitsubishi MG230</u>	115 hp	20635.3 lb	10.2 ft in

Compare