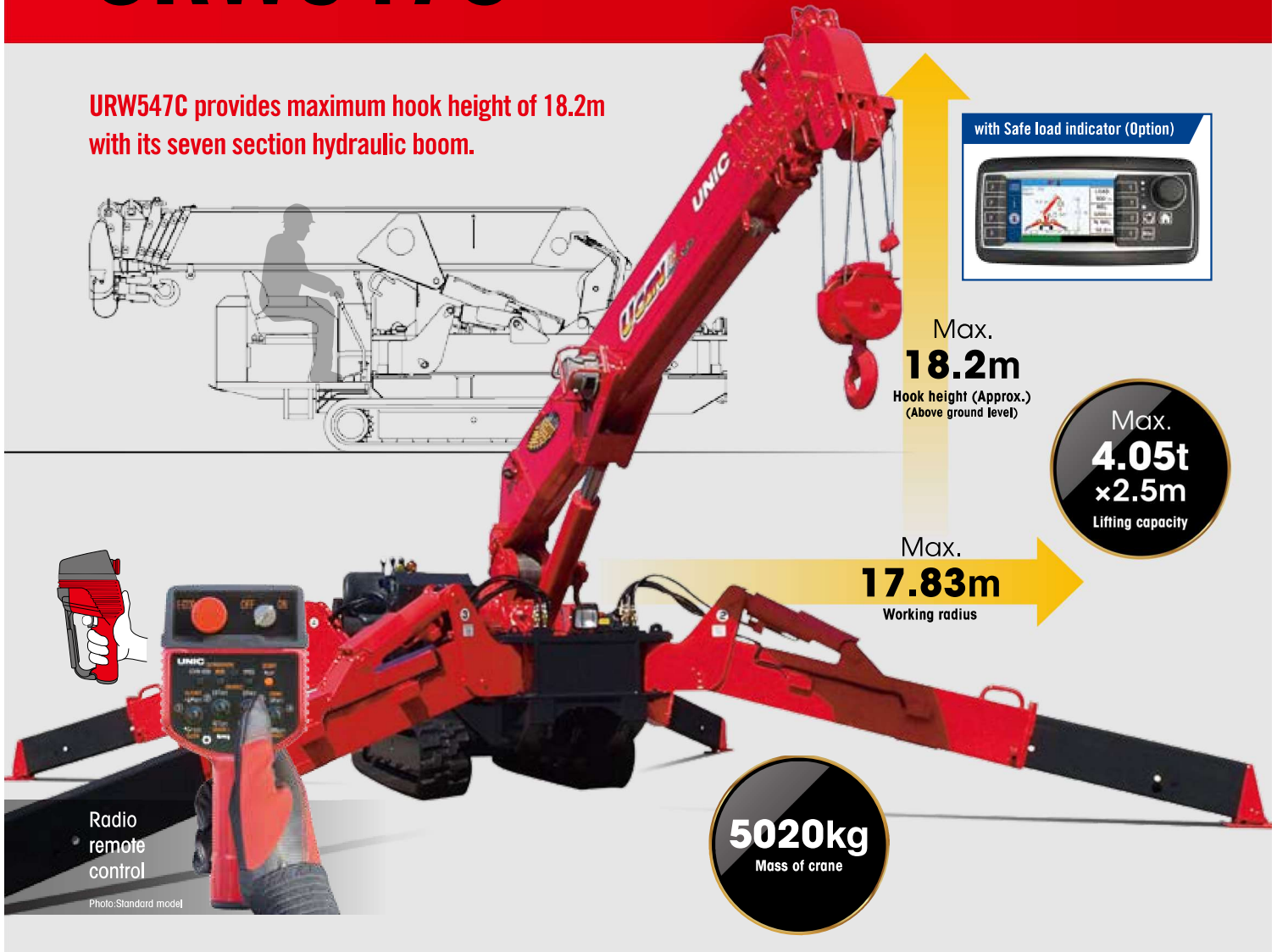


URW547C

URW547C provides maximum hook height of 18.2m with its seven section hydraulic boom.



SPECIFICATIONS [with Electric power unit]

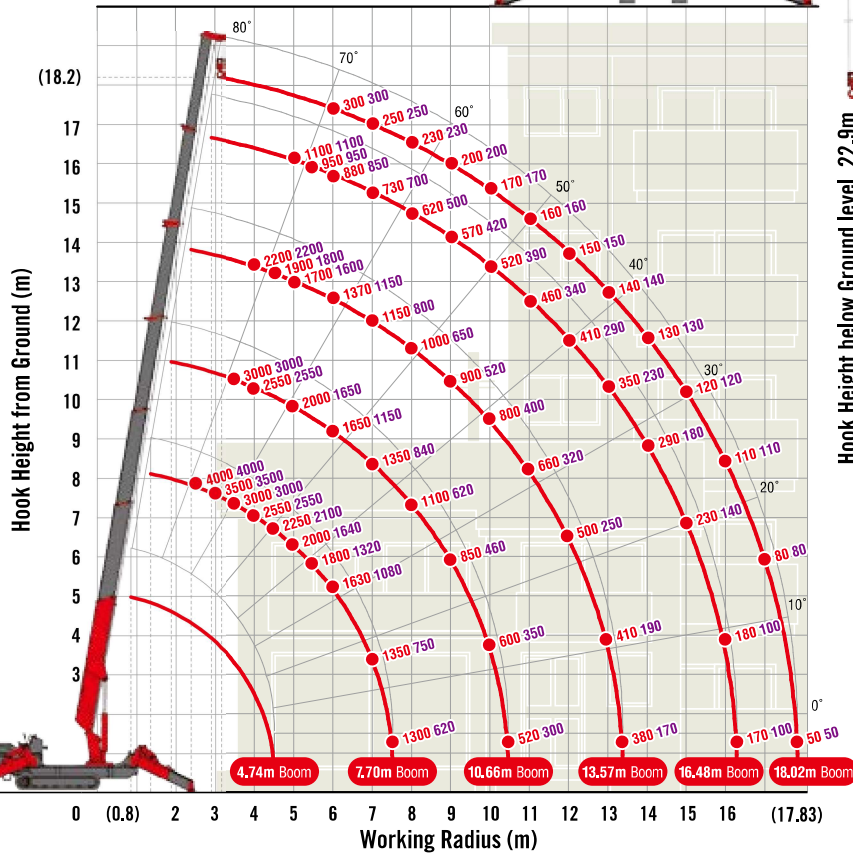
Crane model	URW547C4	
	A (Standard)	E-1(Safe load indicator)
Lifting capacity	Max. 4,05t at 2.5m	
Working radius	Min. 0.8m, Max. 17.83m	
Hook height (Approx.)	Max. 18.2m	
	Above ground level	Max. 18.2m
Below ground level	Max. 22.9m (with 4-part line)	
Length	Min. 3.99m to Max. 18.02m	
	7-section box beam type telescoping boom	
Extending speed	14.03m / 35 sec.	
	[50Hz] 14,03m / 57 sec, [60Hz] 14,03m / 48 sec.	
Raising angle / speed	0° to 80° / 18 sec.	
Structure	[50Hz] 0° to 80° / 30 sec, [60Hz] 0° to 80° / 25 sec.	
Single line speed	56 m/min (at 5th layer)	
	[50Hz] 28 m/min (at 5th layer) [60Hz] 32.8 m/min (at 5th layer)	
Hook speed	14 m/min (at 5th layer with 4-part line)	
	[50Hz] 7m/min (at 5th layer with 4-part line) [60Hz] 8.2 m/min (at 5th layer with 4-part line)	
Wire rope	Construction : IWRC L6 x P-WS(26) / Diameter x Length : 8mm x 103m / Breaking strength : 53kN [5400 kgf]	
Hook block	4t capacity, 2 sheaves with safety latch	
Range	360° continuous rotation on a ball bearing race	
	2.5 rpm [50Hz] 2.0 rpm [60Hz] 2.3 rpm	
Type	A double acting hydraulic cylinder, direct pushing type (Directly connected with hydraulic automatic lock device)	
	Variable delivery piston pump	
Rated pressure	For crawling: 21.6 MPa [220 kgf/cm ²] For crane: 20.6 MPa [210 kgf/cm ²]	
	75 liters	
Safety devices	Pressure relief valve for hydraulic circuit / Counterbalance valves for boom raising and boom telescoping cylinders / Pilot-operated check valves for outrigger cylinders (Horizontal) / Double pilot-operated check valves for outrigger cylinders (Vertical) / Boom angle indicator with load indicator / Hook safety latch / Automatic mechanical brake for winch / Automatic stop for overwinding / Overwinding alarm / Automatic stop for leaving minimum wire rope / Emergency stop button / Inter-lock device of crane and crawling levers / Level / Three colored lamp / Headlight / Digital load meter* / Automatic stop for overloading* / Safe load indicator / Inter-lock device of crane and outriggers / Outrigger ground contact detector	
	[with Safe load indicator]	

* Only for standard model

MINI CRAWLER CRANE

WORKING RANGE & NET RATED LOADS (kg)

Outrigger ● Max-extended NOT max-extended



with Electric power unit (Option)



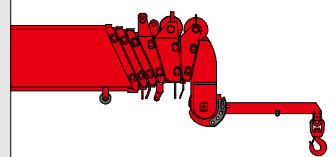
Rated power	7.5kW (3-phase 4 poles)
Voltage	AC 200V or 400V (50Hz / 60Hz)

*No cable included.

Three colored lamp



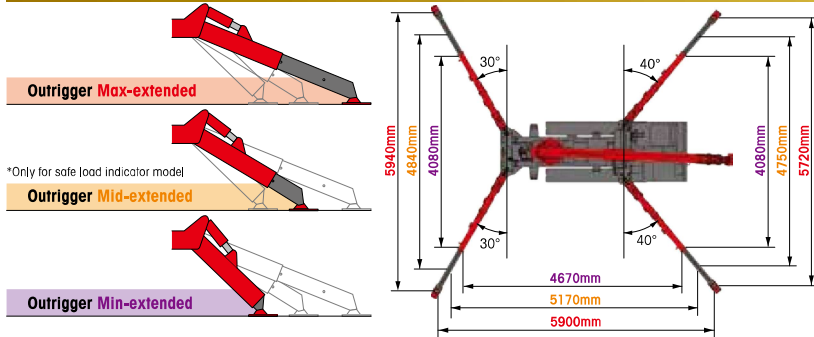
Searcher hook assembly (Option)



NOTE: Only for safe load indicator model.

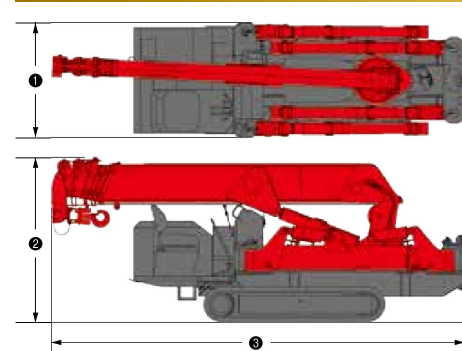
Length	800mm
Lifting capacity	Max. 500kg
Tilt angles	0°, 20°, 40°, 60°

OUTRIGGER POSITIONS



*Only for safe load indicator model

DIMENSIONS [with Electric power unit]



CRAWLING GEAR [with Electric power unit]

Crane model	URW547C4
Crawling speed	0-3 km/h, forward / backward [50Hz] 0-1.3 km/h [60Hz] 0-1.5 km/h
Hill climbing ability	23°
Tread length × width	1750mm × 300mm
Ground contact pressure	47.1 kPa [0.48 kgf/cm ²] 49.0 kPa [0.50 kgf/cm ²]
Engine manufacturer / model	Yanmar / 3TNV80F
Displacement	1266cc
Maximum output	15.2kW(20.7PS) / 2500 rpm, Rated output
Fuel	Diesel
Fuel tank capacity	40 liters
Steering	Hydraulic drive independent of left / right

Crane model	URW547C4
1 Total width	1380mm
2 Total height	1980mm
3 Total length	4950mm
Mass of crane	5070kg [5220kg]