

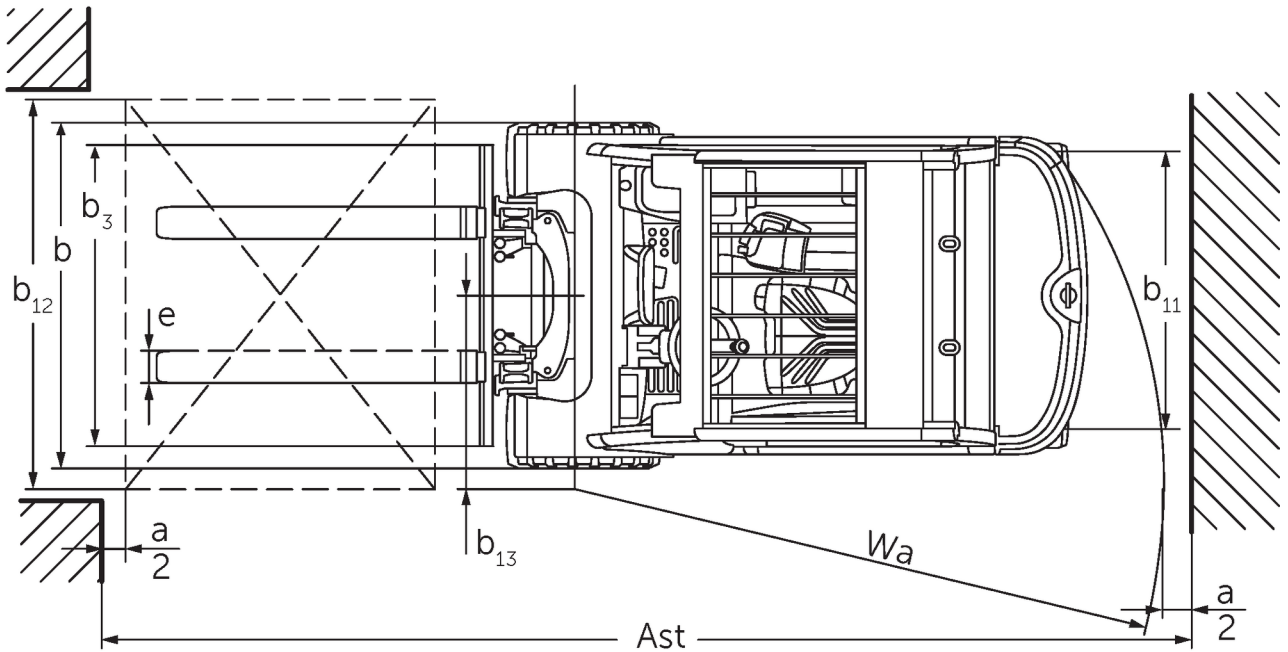
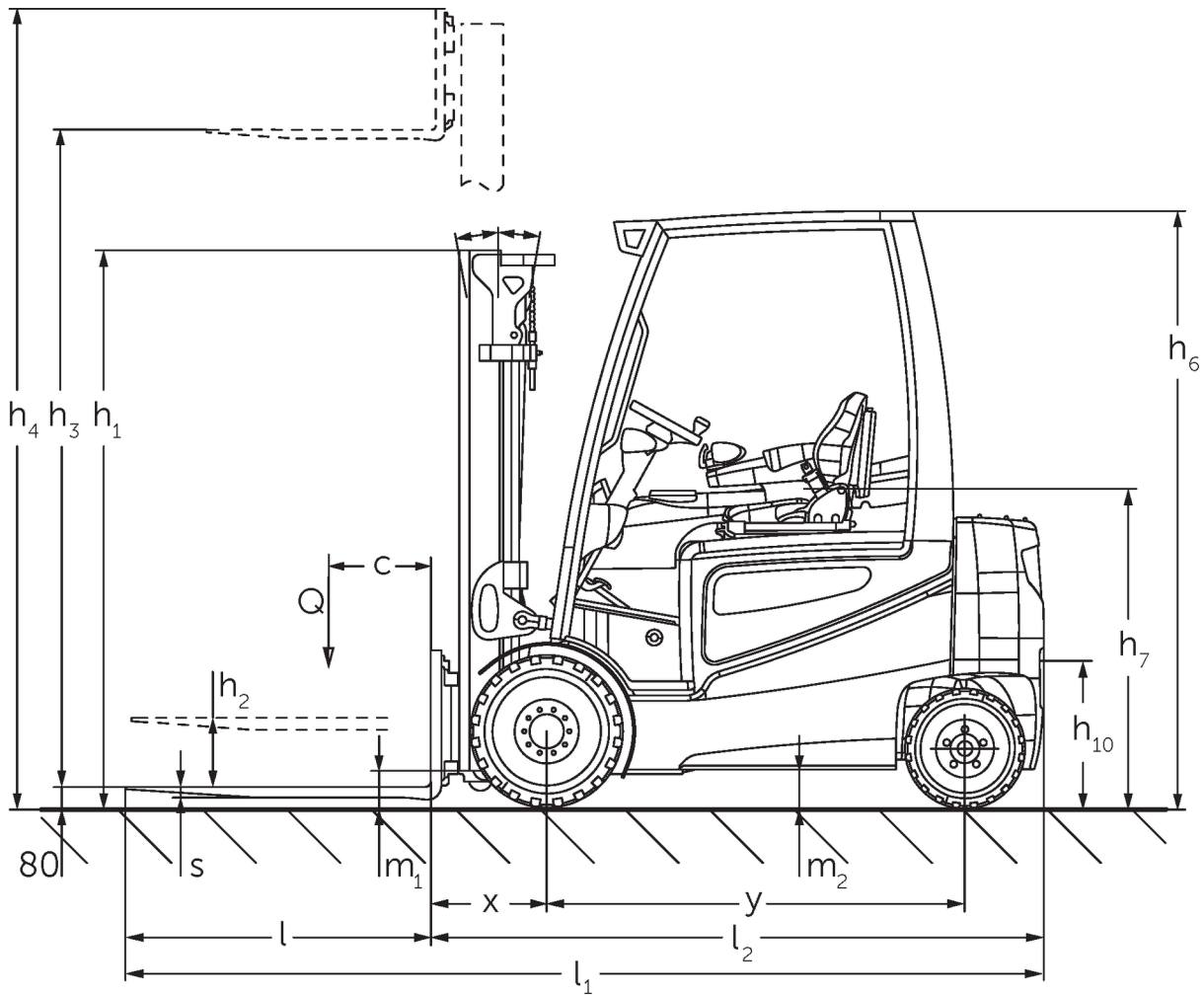


Electric four wheel counterbalance forklift truck

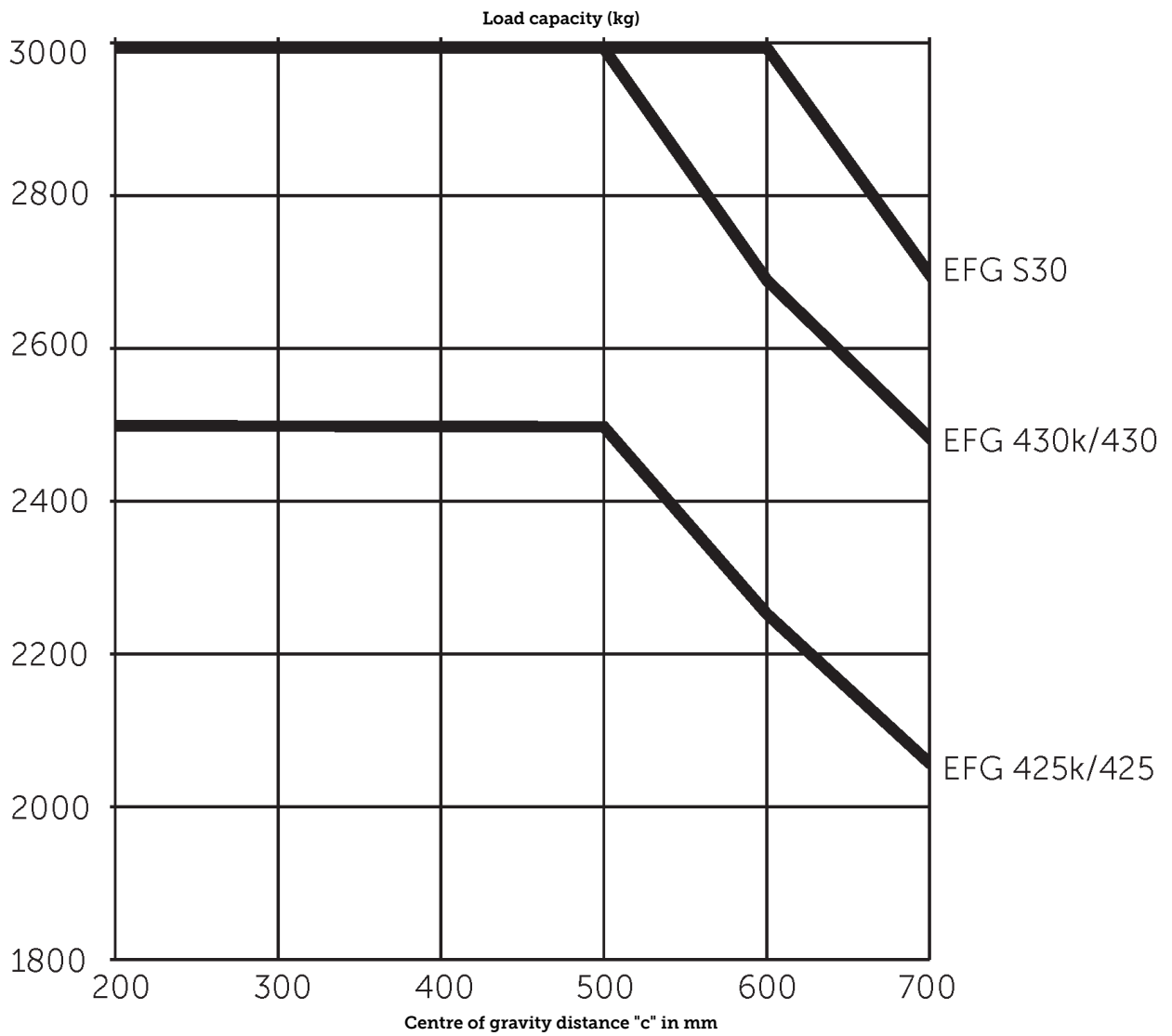
EFG 425-S30

Lift height: 2900-7500 mm / Load capacity: 2500-3000 kg

EFG 425-S30



EFG 425-S30



EFG 425-S30

EFG 425k, EFG 425	Lift (h3)	Retracted mast height (h1)	Free lift (h2)	Extended mast height (h4)	Forward/backward tilt of mast
Duplex mast ZT	2900 mm	2125 mm	150 mm	3655 mm	6 / 8 °
	3100 mm	2225 mm	150 mm	3855 mm	6 / 8 °
	3300 mm	2325 mm	150 mm	4055 mm	6 / 8 °
	3500 mm	2425 mm	150 mm	4255 mm	6 / 8 °
	3700 mm	2525 mm	150 mm	4455 mm	6 / 8 °
	4000 mm	2675 mm	150 mm	4755 mm	6 / 8 °
	4300 mm	2875 mm	150 mm	5055 mm	6 / 8 °
	4500 mm	2975 mm	150 mm	5255 mm	6 / 8 °
Duplex mast ZZ	3100 mm	2190 mm	1600 mm	3690 mm	6 / 8 °
	3300 mm	2290 mm	1700 mm	3890 mm	6 / 8 °
	3500 mm	2390 mm	1800 mm	4090 mm	6 / 8 °
	3700 mm	2490 mm	1900 mm	4290 mm	6 / 8 °
	4000 mm	2640 mm	2050 mm	4590 mm	6 / 8 °
Triplex mast DZ	4400 mm	2090 mm	1500 mm	4990 mm	6 / 8 °
	4700 mm	2190 mm	1600 mm	5290 mm	6 / 5.5 °
	5000 mm	2290 mm	1700 mm	5590 mm	6 / 5.5 °
	5500 mm	2490 mm	1900 mm	6090 mm	6 / 5.5 °
	6000 mm	2690 mm	2100 mm	6590 mm	6 / 5.5 °
	6500 mm	2890 mm	2300 mm	7090 mm	6 / 3 °
	7000 mm	3090 mm	2500 mm	7590 mm	6 / 3 °
	7500 mm	3290 mm	2700 mm	8090 mm	6 / 3 °
EFG 430k, EFG 430	Lift (h3)	Retracted mast height (h1)	Free lift (h2)	Extended mast height (h4)	Forward/backward tilt of mast
Duplex mast ZT	2900 mm	2122 mm	150 mm	3657 mm	6 / 8 °
	3100 mm	2222 mm	150 mm	3857 mm	6 / 8 °
	3300 mm	2322 mm	150 mm	4057 mm	6 / 8 °
	3500 mm	2422 mm	150 mm	4257 mm	6 / 8 °
	3700 mm	2522 mm	150 mm	4457 mm	6 / 8 °
	4000 mm	2672 mm	150 mm	4757 mm	6 / 8 °
	4300 mm	2872 mm	150 mm	5057 mm	6 / 8 °
	4500 mm	2972 mm	150 mm	5257 mm	6 / 8 °
Duplex mast ZZ	3100 mm	2187 mm	1450 mm	3837 mm	6 / 8 °
	3300 mm	2287 mm	1550 mm	4037 mm	6 / 8 °
	3500 mm	2387 mm	1650 mm	4237 mm	6 / 8 °
	3700 mm	2487 mm	1750 mm	4437 mm	6 / 8 °
	4000 mm	2637 mm	1900 mm	4737 mm	6 / 8 °
Triplex mast DZ	4400 mm	2087 mm	1350 mm	5137 mm	6 / 8 °
	4700 mm	2187 mm	1450 mm	5437 mm	6 / 5.5 °
	5000 mm	2287 mm	1550 mm	5737 mm	6 / 5.5 °
	5500 mm	2487 mm	1750 mm	6237 mm	6 / 5.5 °
	6000 mm	2687 mm	1950 mm	6737 mm	6 / 5.5 °
	6500 mm	2887 mm	2150 mm	7237 mm	6 / 3 °
	7000 mm	3087 mm	2350 mm	7737 mm	6 / 3 °
	7500 mm	3287 mm	2550 mm	8237 mm	6 / 3 °
EFG S30	Lift (h3)	Retracted mast height (h1)	Free lift (h2)	Extended mast height (h4)	Forward/backward tilt of mast

Duplex mast ZT	2900 mm	2122 mm	150 mm	3657 mm	6 / 8 °
	3100 mm	2222 mm	150 mm	3857 mm	6 / 8 °
	3300 mm	2322 mm	150 mm	4057 mm	6 / 8 °
	3500 mm	2422 mm	150 mm	4257 mm	6 / 8 °
	3700 mm	2522 mm	150 mm	4457 mm	6 / 8 °
	4000 mm	2672 mm	150 mm	4757 mm	6 / 8 °
	4300 mm	2872 mm	150 mm	5057 mm	6 / 8 °
	4500 mm	2972 mm	150 mm	5257 mm	6 / 8 °
Duplex mast ZZ	3100 mm	2187 mm	1450 mm	3837 mm	6 / 8 °
	3300 mm	2287 mm	1550 mm	4037 mm	6 / 8 °
	3500 mm	2387 mm	1650 mm	4237 mm	6 / 8 °
	3700 mm	2487 mm	1750 mm	4437 mm	6 / 8 °
	4000 mm	2637 mm	1900 mm	4737 mm	6 / 8 °
Triplex mast DZ	4400 mm	2087 mm	1350 mm	5137 mm	6 / 8 °
	4700 mm	2187 mm	1450 mm	5437 mm	6 / 5.5 °
	5000 mm	2287 mm	1550 mm	5737 mm	6 / 5.5 °
	5500 mm	2487 mm	1750 mm	6237 mm	6 / 5.5 °
	6000 mm	2687 mm	1950 mm	6737 mm	6 / 5.5 °
	6500 mm	2887 mm	2150 mm	7237 mm	6 / 3 °
	7000 mm	3087 mm	2350 mm	7737 mm	6 / 3 °
	7500 mm	3287 mm	2550 mm	8237 mm	6 / 3 °

VDI table

Stand-on: 09/2023

Characteristic	1.1	Manufacturer (abbreviated description)		Jungheinrich					
	1.2	Manufacturer's type designation		EFG 425k	EFG 425	EFG 430k	EFG 430	EFG S30	
	1.3	Drive		Electric					
	1.4	Operation		Seat					
	1.5	Load capacity/load	Q kg	2500		3000			
	1.6	Load centre distance	c mm	500				600	
	1.8	Load distance, centre of drive axle to fork	x mm	425		447			
	1.9	Wheelbase	y mm	1575	1720	1575	1720		
Weights	2.1.1	Service weight (incl. battery)	kg	4555	4653	5212	5055	5349	
	2.2	Axle load laden front/rear	kg	6230 / 825	6580 / 573	7272 / 940	7347 / 708	7519 / 830	
	2.3	Axle load unladen front/rear	kg	2271 / 2283	2688 / 1965	2464 / 2748	2672 / 2383	2692 / 2657	
Wheels/suspension system	3.1	Tyres		Super-elastic (SE)					
	3.2	Tyre size, front		225 / 75-10		250 / 60-12		315 / 45-12	
	3.3	Tyre size, rear		180 / 70-8		200 / 50-10	180 / 70-8	200 / 50-10	
	3.5	Wheels, number front/back (x=driven)		2X / 2					
	3.6	Tread width, front	b10 mm	990		950		1000	
	3.7	Tread width, rear	b11 mm	940					
	Basic dimensions	4.1	Forward/backward tilt of mast	a/β °	6 / 8				
4.2		Retracted mast height (h1)	h1 mm	2225		2222			
4.3		Free lift (h2)	h2 mm	150					
4.4		Lift (h3)	h3 mm	3100					
4.5		Extended mast height (h4)	h4 mm	3855		3857			
4.7		Height of overhead guard (cab)	h6 mm	2240					
4.8		Seat height/stand height	h7 mm	1190					
4.12		Coupling height	h10 mm	385					
4.12.1		2. Coupling height	mm	540					
4.19		total length	l1 mm	3446	3591	3467	3612		
4.20		Length including fork shank	l2 mm	2296	2441	2317	2462		
4.21.1		total width	b1 mm	1198				1300	
4.22		Fork dimensions	s/ e/l mm	40 x 100 x 1150		45 x 125 x 1150			
4.23		Fork carriage connection class		2A		3A			
4.24		Fork carriage width	b3 mm	1120					
4.31		Ground clearance laden under mast	m1 mm	117					
4.32		Ground clearance centre of wheelbase	m2 mm	135					
4.34.1		Aisle width (pallet 1000x1200 sideways)	Ast mm	3625	3775	3647	3797		
4.34.2		Aisle width (pallet 800x1200 length)	Ast mm	3825	3975	3847	3997		
4.35		Turning radius	Wa mm	2000	2150	2000	2150		
4.36	Smallest pivot point distance	b13 mm	600				650		
Performance data	5.1	Travel speed laden/unladen (Efficiency drivePLUS)	km/h	16 / 17 19 / 21		15 / 17 18 / 21	15 / 17 19 / 21	15 / 17 18 / 20	
	5.2	Lift speed laden/unladen (Efficiency liftPLUS)	m/s	0.48 / 0.63 0.5 / 0.7		0.43 / 0.54 0.44 / 0.59	0.44 / 0.54 0.44 / 0.59	0.43 / 0.54 0.43 / 0.59	
	5.3	Lowering speed laden/unladen (Efficiency liftPLUS)	m/s	0.58 / 0.58 0.58 / 0.58					

	5.5	Drawbar pull laden/unladen (Efficiency drivePLUS)	N	3600 / 4000 5100 / 5600	3500 / 3900 4900 / 5500	4500 / 5000 5000 / 5800		
	5.6	Max. drawbar pull laden/unladen (Efficiency drivePLUS)	N	13150 / 13150	15200 / 15200	13600 / 13600 15750 / 15750		
	5.7	Gradeability laden/unladen (Efficiency drivePLUS)	%	8.5 / 14 10 / 16	7.5 / 13 10 / 16	7 / 12 9 / 15	7 / 13 9 / 15	7 / 12 8 / 14
	5.8	Max. gradeability laden/unladen (Efficiency drivePLUS)	%	17 / 27 18.9 / 30.9	16.9 / 26.8 18.8 / 30.8	16.1 / 25.6 18.5 / 30	16.2 / 25.9 18.6 / 30.2	16 / 25.3 18.5 / 29.8
	5.9	Acceleration time laden/unladen (Efficiency drivePLUS)	s	6.5 / 6 6.2 / 5.7		6.7 / 6.1 6.4 / 5.8		6.8 / 6.2 6.4 / 5.8
	5.10	Service brake		Mechanical				
E-motor/Electronics	6.1	Drive motor, performance S2 60 min (Efficiency drivePLUS)	kW	12 15				
	6.2	Lift motor, performance with S3 (Efficiency liftPLUS)	kW	18.5 22				
	6.3	Battery according to DIN 43531/35/36		DIN 43536 A				
	6.4	Battery voltage/nominal capacity	V / Ah	80 / 620	80 / 775	80 / 620	80 / 775	
	6.5	Battery weight	kg	1540	1863	1540	1863	
	6.6	Energy consumption according to VDI cycle	kWh/h	0				
	6.6.1	Energy consumption according to EN cycle (Efficiency PLUS)	kWh/h	6.4 6.3	6.3 6.2	7.1 7	6.9 6.9	7.2 7.1
	6.6.2	CO2 equivalent as per EN 16796 (Efficiency PLUS)	kg/h	3.5 3.4	3.4 3.4	3.8 3.8	3.7 3.7	3.9 3.8
	6.7	Throughput (Efficiency PLUS)	t/h	174 188	175 189	204 212	205 213	198 213
	6.8.1	Energy consumption with max. throughput (Efficiency PLUS)	kWh/h	7.9 9	7.8 8.9	8.1 9.2	8.1 9.1	8.4 9.4
Other	8.1	Type of drive control		Impulse/AC				
	10.1	Operating pressure for attachment	bar	200				
	10.2	Oil flow for attachments	l/min	30				
	10.7	Sound level as per EN12053, operator's ear	dB (A)	70				
	10.8	Trailer coupling, model/type DIN		DIN 15170 H				
- This data sheet according to VDI guideline 2198 only states the technical values of the standard truck. Different tyres, other masts, additional equipment etc. may result in different values.								

Efficiency: Values of standard package | PLUS: Values of performance package

- VDI no. 1.8: with EFG 425 + 10 mm for DZ mast

- VDI no. 6.6.1: 60 EN cycles/h

- VDI no. 6.7: PLUS refers to the drive&liftPLUS performance package

- VDI no. 6.8.1: PLUS refers to the drive&liftPLUS performance package

The German production facilities in
Norderstedt, Moosburg and Landsberg
are certified as well as our Genuine Parts
Center in Kaltenkirchen. ISO 9001
ISO 14001

 **JUNGHEINRICH**