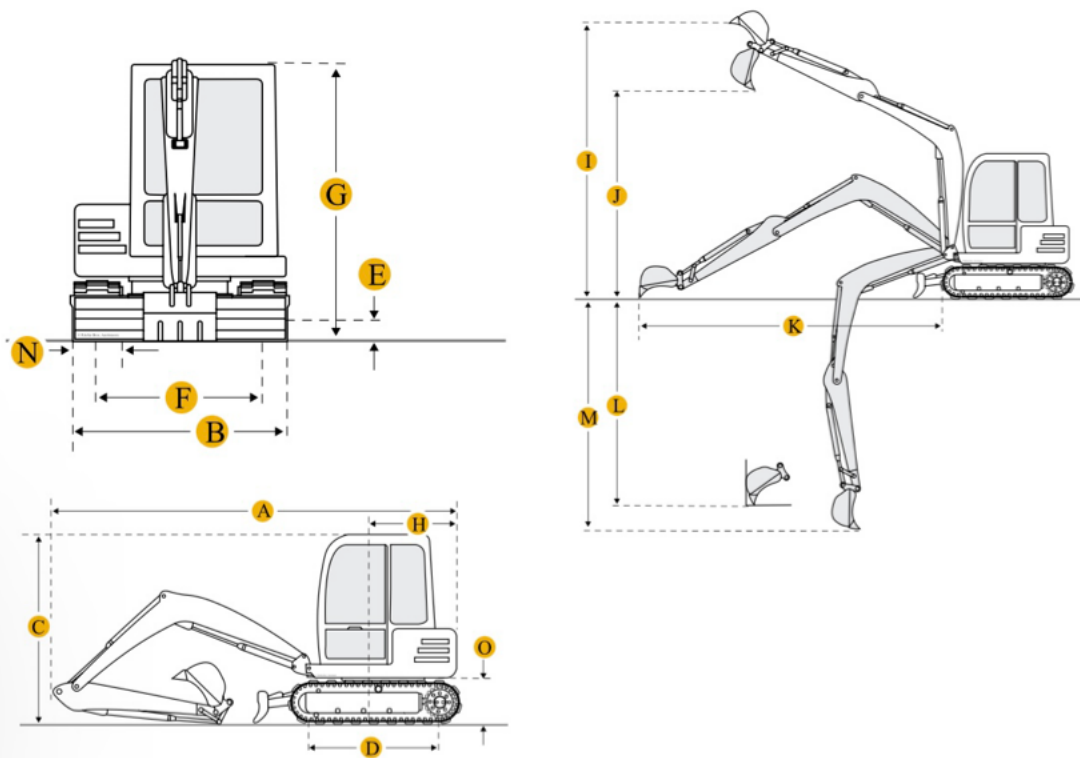


Hitachi EX40-2 Mini Excavator



Units

Imperial

Metric

Dimensions

Boom/Stick Option (Hex) 1

A	Shipping Length Of Unit	5430 mm
I	Max Cutting Height	5805 mm
C	Shipping Height Of Unit	2595 mm
J	Max Loading Height	4115 mm
K	Max Reach Along Ground	5720 mm
L	Max Vertical Wall Digging Depth	2685 mm

Top

M	Max Digging Depth	3385 mm
	Boom/Stick Option (Hex) 1	Boom 2730mm / Arm 1460mm

Dimensions

B	Width To Outside Of Tracks	1850 mm
D	Length Of Track On Ground	1930 mm
E	Ground Clearance	365 mm
G	Height To Top Of Cab	2595 mm
H	Tail Swing Radius	1445 mm
	Removal Counterweight Clearance	635 mm

Undercarriage

N	Shoe Size	400 mm
F	Track Gauge	1450 mm
	Max Travel Speed	4.5 km/h
	Ground Pressure	24.5 kPa
	Number Of Carrier Rollers Per Side	1
	Number Of Track Rollers Per Side	4

[Top](#)

Specifications

Engine

Number Of Cylinders	4
Engine Make	2334
Engine Model	V2203-KA
Net Power	26.5 kw
Power Measured @	2100 rpm
Displacement	2.2 L
Max Torque	126 Nm
Torque Measured @	1500 rpm
Aspiration	Natural

Operational

Operating Weight	4150 kg
Fuel Capacity	50 L
Cooling System Fluid Capacity	7.5 L
Hydraulic System Fluid Capacity	62 L
Engine Oil Capacity	9 L
Operational Voltage	12 V
Alternator Supplied Amperage	52 amps
Hydraulic System Relief Valve Pressure	26478 kPa

[Top](#)