

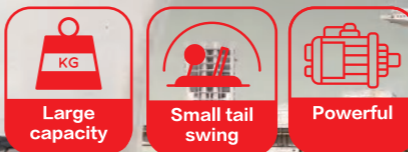
ARTICULATING BOOM LIFT

SPA20AC

Compliant with CE standards



- Intelligent digital equipment management system and visual human-machine interaction system for improved efficiency and intelligence
- Industry-leading fast charging technology for quickly recharging
- Stable sunken layout for smoother operations
- Fully proportional valve group and controls for more precise movements
- Efficient poprietary boom descent technology with zero energy consumption
- IP67 rated electrical parts, for exceptional durability
- 90+% common parts with the Sany boom product family, for easier maintenance and parts availability
- 360° continuous rotation for ease of operation

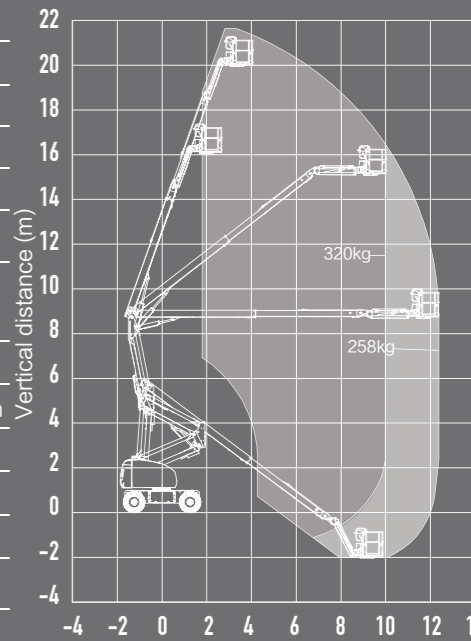
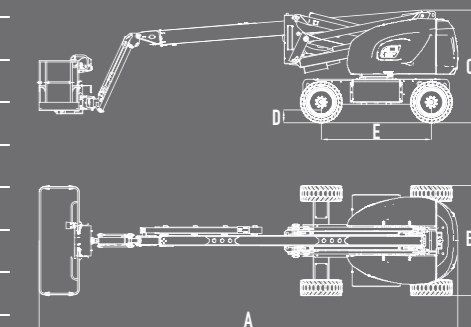


ARTICULATING BOOM LIFT

SPA20AC

Compliant with CE standards

Model	SPA20AC(SPA66AC)		SPA20AC-Li (SPA66AC-Li)	
	Metric	Imperial	Metric	Imperial
Dimensions				
Platform height max.	20.0m	65ft7in	19.5m	64ft
Working height max.	22.0m	72ft2in	21.5m	70ft6in
Horizontal outreach max.	12.4m	40ft8in	12.1m	39ft8in
A-Length (stowed)	9.47m	31ft1in	9m	29ft6in
B-Width (stowed)	2.49m	8ft2in	2.49m	8ft1in
C-Height (stowed)	2.55m	8ft4in	2.43m	8ft
Platform dimension(L × W)	2.44m × 0.91m	8ft × 3ft	2.44m × 0.91m	8ft × 3ft
D-Ground clearance	0.28m	11in	0.36m	1ft2in
E-Wheelbase	2.50m	8ft2in	2.50m	8.2ft
Lift capacity (Unrestricted/Restricted/Restricted)	258kg/320kg	569lb/706lb	258kg/320kg	569lb/706lb
Turntable tail swing	0.60m	2ft	0.62m	2ft2in
Jib rotation	+70° / -65°		+70° / -65°	
Turntable rotation	360° Continuous		360° Continuous	
Platform rotation	180°		180°	
Performance				
Platform occupancy max. (Unrestricted/Restricted)	2 Persons and tools		2 Persons and tools	
Tilt sensor activation	X-5° / Y-5°		X-5° / Y-5°	
Turning radius max.(inside/outside)	4.6m/7.5m	15ft1in/24ft7in	3.5m/6m	11ft1in/19ft8in
Gradeability	45%		45%	
Drive speed-stowed	0-5.7km/h	0-3.5mph	0-5.5km/h	0-3.4mph
Drive speed-raised	0-0.8km/h	0-0.5mph	0-0.8km/h	0-0.5mph
Power				
Drive × Steer	4WD × 2WS		4WD × 2WS	
Battery	48V/400Ah (Lead acid battery)		80V/320Ah	
Charger (input)	100-240V AC		180-240V AC	
Others				
Weight	10100kg	22266lb	9150kg	20172lb



SPA20AC Work Envelope

◆ All products of the Sany aerial work platform series comply with CE standards

This printed matter is not part of the contract and does not constitute a component of the vehicle purchase contract. Due to continuous product improvement, we reserve the right to change product models, specifications, and configurations without prior notice. The pictures are for reference only, and the actual product shall prevail. The products in the pictures may have non-standard configurations, and some components may need to be purchased separately. (Within the scopes permitted by law, Sany has the final interpretation right)
Copyright version on 2025 April

SANY AERIAL WORK EQUIPMENT Co., Ltd

Address: No. 18-688, Industrial Road, Gaoxin District, Wuxing District, Huzhou, Zhejiang Province

Postal code: 313002

Hotline: 400-8878-318

Website: www.sanyglobal.com

Copyright version on 2025 April