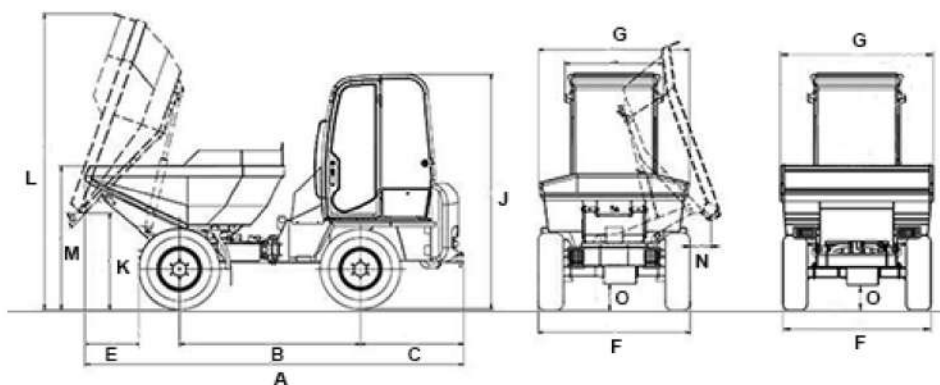
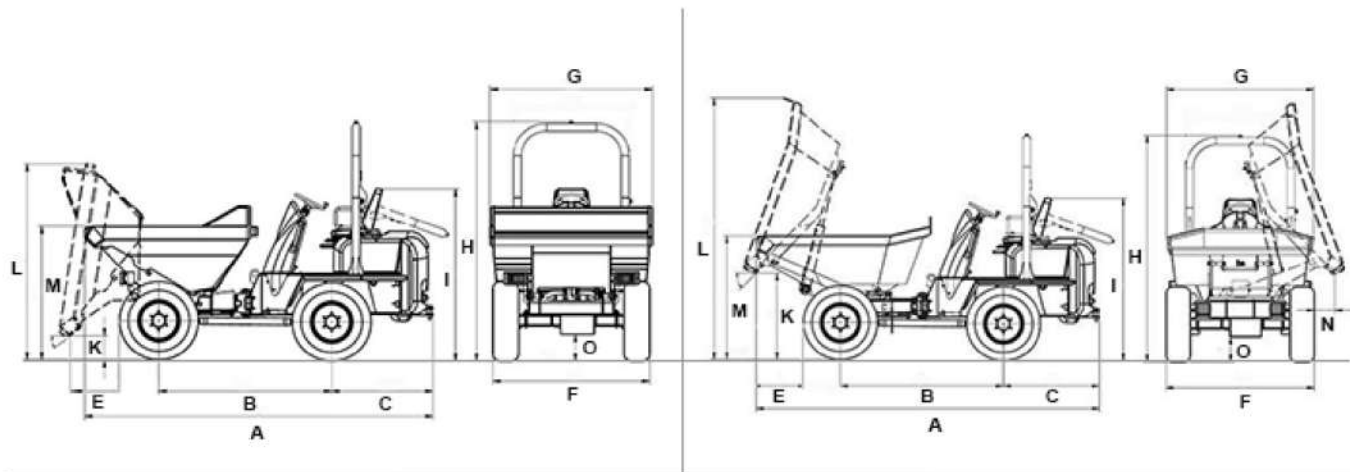


ONE STOP SERVICE FOR CONSTRUCTION





	LZ30D	LZ50
Machine / Size / Load		
Rated Load	3.0T	5.0T
Operating Weight	3300kg	3900kg
Bucket Capacity	1.6m ³	2.5m ³
Max. Grade Ability	30°	30°
Overall Dimension(L×W×H)	4400×2000×2670	4500×2085×2760mm
Engine		
Engine Model	4TNV94L	4TNV98T
Manufacturer	Yanmar (EURO-3 Emission)	Yanmar (EURO-3 Emission)
Number of Cylinder	4	4
Rated Power	37kw	64.1kw
Transmission System		
Torque Converter	AUTO Gearbox	AUTO Gearbox
Max. Speed	30km/h	30km/h
Front and Rear Axles		
Driving Axle	Wheel Side Reduction Axle	Wheel Side Reduction Axle
Driving Mode	4x4 wheel drive	4x4 wheel drive
Tyre		
Tyre Specification	20.5/70-16	16/70-20
Steering System		
Type	Hydraulic	Hydraulic
Mini Turning Radius	4500mm	4850mm
Brake System		
Service Brake	Air Over Oil Disc	Air Over Oil Disc
Parking Brake	Disc Brake	Disc Brake
Oil Capacity		
Fuel	55L	80L
Hydraulic Tank	55L	80L
Battery		
Alternador	24V	24V



		Front tip skip	Swivel tip skip
A	Overall length	4380mm	4470mm
A	Overall length cabin	4380mm	4470mm
B	Wheelbase	2370mm	2480mm
C	Rear overhang	810mm	900mm
D	Dumping distance	775mm	595mm
E	Width	1900mm	1900mm
F	Skip width	1900mm	2000mm
G	Height	2590mm	2660mm
H	Height cabin	2590mm	2660mm
I	Dump height max	780mm	850mm
J	Skip height tipped	2670mm	2810mm
K	Skip height not tipped	1690mm	1816mm
L	Dumping distance lateral		130mm

Tipping Cylinder - 1



- Double Tipping Cylinder.
- More Powerful.

Rotating System - 2



- 180° Degree.
- Unique patent design.

Tilt Oil Cylinder - 3



- Max Tilt Angle 30°.
- Up and down.

Double Pump - 4



- Enough flow.
- Powerful and stable.

Articulated Chasis - 5



- Small turning radius.
- Hydraulic steering.

Engine Hood - 6



- Efficiency.
- Easy-to-open engine hood.