

Internal Combustion Pneumatic Tire Lift Trucks

Capacity: 4.0 - 5.5 ton



CAT® Lift
Trucks

Courtesy of CraneMarket.com



Quality, Reliability and Customer Service You Can Depend On — Built tough for Demanding Applications

The new DP/GP40N-55N series internal combustion pneumatic tire lift trucks have been specially designed to meet the demands of industries that require heavy duty, reliable and quality-built machines. From their tough steel bodies to their powerful yet low emission, easy to maintain engines, they demonstrate Cat Lift Trucks' ongoing commitment to quality, reliability and customer service.

DP/GP40N-55N Series

Packed with productive solutions, an impressive list of standard features includes:

- Presence Detection System Plus (PDS+)
- Full-Floating Power Line
- Mechanical Hydraulic Control System
- 2-Way Hydraulic Control Valve
- Full Hydrostatic Steering with Steering Synchronizer
- 2 Forward Speeds, 1 Reverse Speed Automatic Transmission
- Easy-to-Read LCD Meter Panel
- Full Suspension Seat with Safety Belt
- Overhead Guard
- Memory Tilt Steering Column
- Tilt Cylinder
- Head Lamp
- Rear Combination Lamp
- Worldwide Emissions Standards Compliance Engines
- Speed Limiter (Gasoline Trucks Only)
- Back-Up Alarm
- Anti Corrosion Radiator
- Load Backrest
- Rear View Mirror
- Drawbar Pin
- Non-Slip Floor Mat
- Front Single, Rear Single Pneumatic Tire
- Tool Box

Options:

- Fingertip Control
- Low Noise Package
- Dust Proof Package
- Clogging Package
- ProShift for Smooth Sudden Gear Changes
- Wet Disc Brake

Model	Fuel Type	Capacity (kg) @		Engine Displacement (l)
		500mm LC	600mm LC	
DP40N	Diesel	4000	3500	5.0
GP40N	Gas / LP Gas	4000	3500	4.5
DP45N	Diesel	4500	4000	5.0
GP45N	Gas / LP Gas	4500	4000	4.5
DP50CN	Diesel	5000	4500	5.0
GP50CN	Gas / LP Gas	5000	4500	4.5
DP50N	Diesel	-	5000	5.0
GP50N	Gas / LP Gas	-	5000	4.5
DP55N	Diesel	-	5500	5.0
GP55N	Gas / LP Gas	-	5500	4.5



Quality



With load capacities of up to 5,500 kg, this new range of N-series lift trucks offer unmatched performance and many features to tackle the most demanding applications.



Reduced Noise And Vibration

The new 4.0 – 5.5 ton N-Series lift trucks are designed with noise and vibration dampening features. Measures include special vibration-absorbing mounts for the full-floating power train, which provide for a much quieter and smoother lift truck operation.

Proactive Safety

An all-new, innovative and advanced safety feature operator Presence Detection System Plus (PDS+) is incorporated into all DP/GP40N-55N series models. When an operator leaves the seat, PDS+ ensures that all lift truck operations are locked and the electrical parking brake engaged. This prevents potential accidents caused by unexpected movement of unmanned lift trucks.



Comfort And Efficiency

Cat lift truck operator cabins provide a neat and unobstructed working environment that helps operators perform more efficiently. Well-placed controls and advanced ergonomics work to reduce operator strain and fatigue. Ease of operation pays off with better operator productivity and better workplace safety.

Smooth Two Speed Transmission & Handling

A new 2-speed forward and 1-speed reverse automatic transmission is now standard. Coupled with a full hydrostatic steering and braking system, this series of improvements ensure that the DP/GP40N-55N series is highly manoeuvrable for even the tightest workspace environment.

Less Strain with More Control

Optional Pro-lift Fingertip Control can also be equipped on new trucks. The lift, tilt and attachment operations are made easy by a fingertip controller, allowing a driver's arm to remain on the armrest, which reduces fatigue and prevents repetitive strain injuries.

Fork And Neutral Gear Lock

To help prevent accidents, the fork is automatically locked when the ignition is switched off and remains in position even if the lift lever is inadvertently bumped or moved. A neutral safety lock is also installed to prevent the lift truck from being started if it is left in gear.

Soft Landings

This unique feature automatically slows down the forks when approaching the ground, protecting valuable goods from hard drops or shocks.

** Only for two-stage simplex masts.*

Vehicle Information At A Glance

To maximise safety, efficiency and a fleet's material handling uptime, an integrated digital display provides easy to read information from travel speed, gross load and other operating parameters. The bright and well-placed LCD monitor easily shows engine, vehicle diagnosis and lift truck operations at a glance.



• Vehicle speed display



• Load weight display



(Optional)

Reliability



Toughened Mast Offers Better Visibility

Newly designed toughened steel mast rails on the DP/GP40N-55N series are extremely strong and resist twisting and bending. Narrow flanges and a tapered fork bars also help provide an operator with a better view forward. Besides the optimum design and positioning of the mast itself, the main mast's cylinder and chain have been placed out of the way for even greater driver vision.

Tough Base With A Low Center Of Gravity

The new 4.0 – 5.5 ton lift trucks are equipped with solid, strengthened frame and body with a low centre of gravity. This means they have better durability, performance and enhanced stability when doing extra heavy work or carrying heavy loads.





Easy and Tool-Free Access

Cat lift trucks have engine covers that are easy to open along with easy-to-remove side panels. Removing these panels is a snap thanks to their tool free design. All maintenance points are strategically placed to allow for quick inspection or easy service.

Improved Brake Design

A newly designed, easy-maintenance braking system that does not require hub and drum removal is installed as standard equipment. The work, time and cost required for service are substantially reduced when compared to previous models.

Significant Extension Between Service Intervals

Intervals for the changing of the engine oil has been more than doubled from 200 hours to 500 hours. Furthermore, the newly designed wet-disc brakes* allow maintenance-free intervals for 10,000 hours. Extended service intervals not only save time and make a Cat lift truck more productive but they also help lower costs of operation as well.

** Depending on usage condition, brake oil change is required for the optional wet-disc brakes.*

- **Oil change cycle**
(with Cat Lift Trucks recommended engine oil).

Conventional vehicle	–	200 hours
New 4.0 - 5.5 ton series	–	500 hours

The Truck Stops Here

The newly developed ProShift and Wet-Disc Brake system (optional) automatically slows down the truck speed during sudden directional changing. This not only provides for smooth and jerk-free operation, but also prevents potential transmission damage. With this system, Cat Lift Trucks offers superior handling and stopping control.

More Than A Passing Grade

The highly reliable and powerful diesel S6S engine and the efficient electronically controlled TB45 gasoline engine with three-way catalytic mufflers are used on this new series of Cat® lift trucks. These industry-proven engines deliver power yet produce low emissions that meet the latest worldwide standards. They are built to perform, without compromise.

Saving Energy With Fewer Emissions

“Power / Soft Mode Switch” enables the change between power or ecology operation depending on conditions. Selecting the ecology mode means that CO₂ emissions are decreased by an eco-friendly 13 percent

** Option on diesel engine trucks.*



Customer Service



Cat Lift Trucks is committed to providing industry-leading customer service that is delivered by experienced and reliable dealers. Cat Lift Trucks puts its customer's needs first, with one of the most comprehensive customer support programs in the business today.

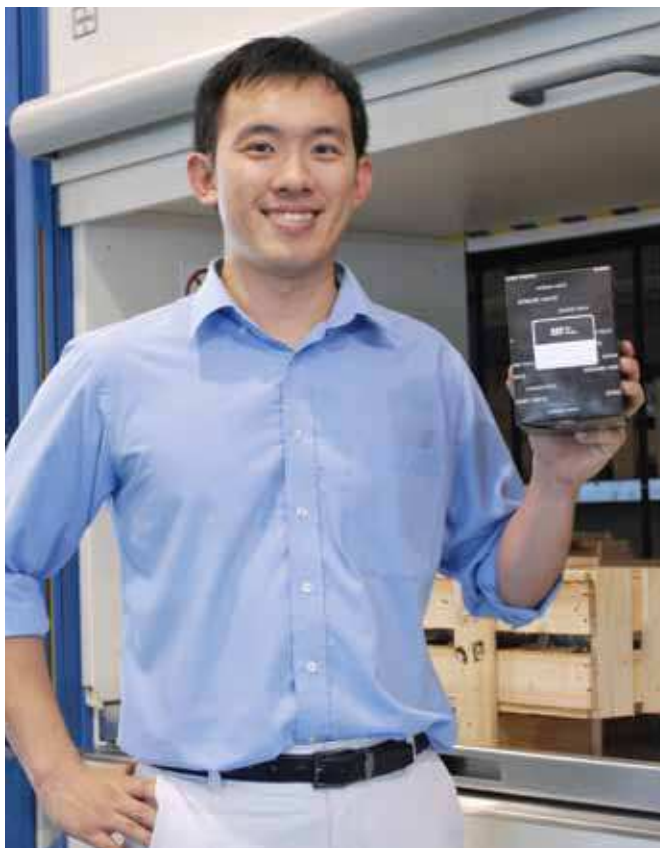
Professionals You Can Depend On

Cat lift truck dealers are unsurpassed, delivering superior customer service that sets them apart from the competition — before, during and after the sale. Cat dealers make available leading support programs with every new Cat lift truck you purchase, including:

- Genuine Cat lift truck OEM parts
- Planned Maintenance
- Rental fleet availability
- Convenient dealer location

Planned Maintenance

Proper maintenance helps assure top performance over the long haul and helps extend vehicle longevity. That's why knowledgeable and skilled dealers who make sure your truck is properly maintained back every Cat lift truck. With Cat lift truck-planned maintenance you won't have to worry about scheduling maintenance or unexpected downtime. Regular planned maintenance calls are scheduled in advance to avoid interference with your company's operating schedules. Experienced Cat lift truck service technicians will regularly perform all periodic maintenance including fluid and lubricant checks when required. Cat lift truck technicians will even identify and fix potential problems before they become major and costly repairs.



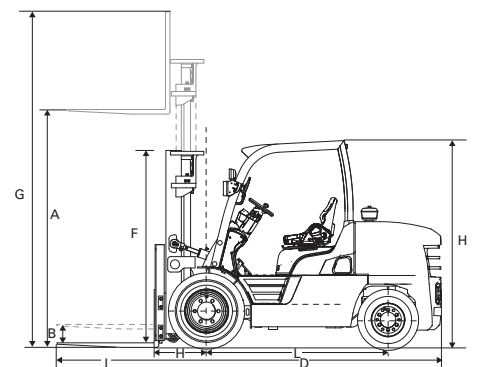
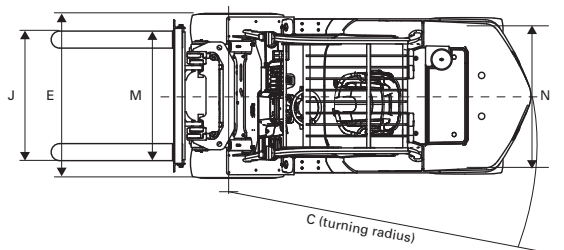
Lift Plus Powertrain Warranty *(Optional)*

Confidence you can depend on — Cat Lift trucks are covered by one of the best powertrain warranties in the business. When you choose a Lift Plus warranty for your new Cat lift truck, you're getting long term protection against powertrain failures, which guarantees that if any major powertrain component fails, it will be replaced... it's that simple. And all Lift Plus warranty repair uses only genuine Cat lift truck parts.

With Lift Plus warranty, your investment is covered for 3 years or 5,000 hours, which ever occurs first. If a powertrain failure causes your lift truck to go down, you're covered.

Specifications

CHARACTERISTICS										
1	Type of Truck				DIESEL ENGINE TRUCK					
2	Model				DP40N		DP45N		DP50CN	
3	Loading Capacity	kg			3500	4000	4000	4500	4500	5000
4	Load Center	mm			600	500	600	500	600	500
PERFORMANCE										
5	Maximum Fork Height	mm	A		3350					
6	Free Fork Height	mm	B		150					
7	Speeds	Lifting	Loaded	mm/s	550					470
			Unloaded	mm/s	610					530
		Lowering	Loaded	mm/s						
			Unloaded	mm/s						
8	Tilt	Mast	Forward	deg						
			Backward	deg						
9	Speeds	Traveling	Loaded	km/h	21.5			21.0		
			Unloaded	km/h	22.0					
10	Maximum Drawbar Pull	stationary on slope	Loaded	N	37500		36500		37000	
	Drawbar Pull	at 1.6km/h	Loaded	N	27000					26500
11	Maximum Gradeability	stationary on slope	Loaded	%	44.9	42.5	39.4	37.4	35.5	33.9
	Gradeability	at 1.6km/h	Loaded	%	31.1	29.1	28.0	26.4	25.0	23.8
12	Turning Radius		mm	C	2580		2730		2760	
13	Practical Intersecting Aisle Width	Single	with 1220m forks	mm	2320		2395		2415	
14	Practical Aisle for Right Angle Stacking		with 1220m forks	mm	4370		4530		4560	
DIMENSIONS										
15	Overall Length to Fork Face		mm	D	3000		3130		3170	
16	Width	with Standard Tires	mm	E	1415		1460			
		with Optional Duals	mm							
		with Special Duals	mm							
17	Height	with Lowered Mast	mm	F	2320				2400	
		with Extended Mast (with Backrest)	mm	G	4570					
		to Top of Overhead Guard	mm	H						
18	Forks (Thickness x Width x Length)		mm	I	50x150x1220					
19	Fork Spread (Out-to-Out Minimum / Maximum)		mm	J						
20	Front Overhang (Center of Front Axle to Fork Face)		mm	K	577			582		
21	Wheelbase		mm	L	1850		2000			
22	Tread Width	Front, standard tires	mm	M						
		Front, optional duals	mm							
		Front, special duals	mm							
		Rear Tires	mm	N						
23	Ground Clearance	at Lowest point mast	mm							
		at Center of Wheelbase	mm							
24	Tire Size	Size Front, standard			8.25-15-14-PR		300-15-18PR			
		Size Front, optional dual								
		Size Front, special dual								
		Rear Tires			7.00-12-12PR					
WEIGHT										
25	Machine Weight	Powershift (standard)	kg		5920		6330		6850	
		Powershift (optional dual)	kg		6050		6420		6930	
		Powershift (special dual)	kg		6120		6490		7000	
BRAKE										
26	Service Brake Type									
27	Parking Brake Type									
POWERTRAIN										
28	Engine	Model			S6S					
		Max. Rated Power / rpm to DIN 70020	Kw/rpm		57.5 / 2300					
		Max. Rated Torque / rpm to DIN 70020	Nm/rpm		260 / 1700					
		Displacement	cc		4996					
		Fuel Tank Capacity	ℓ		87		105			
29	Transmission	Type								
29	Number of Speed	Forward								
		Backward								
30	Relief Pressure	For Attachments	Mpa							





Quality

Reliability

Customer Service



Internal Combustion Pneumatic Tire Lift Trucks

Capacity: 4.0 - 5.5 ton

www.catliftruck.com.sg

Copyright ©2009 by MCFS. All rights reserved. CAT, CATERPILLAR, their respective logos, "Caterpillar Yellow" and the POWER EDGE trade dress, as well as corporate and product identity used herein, are trademarks of Caterpillar and may not be used without permission. All registered trademarks are the property of their respective owners. Some products may be shown with optional equipment. Printed in Singapore.

FCAT0091

09/09

CAT[®] Lift Trucks

Courtesy of CraneMarket.com