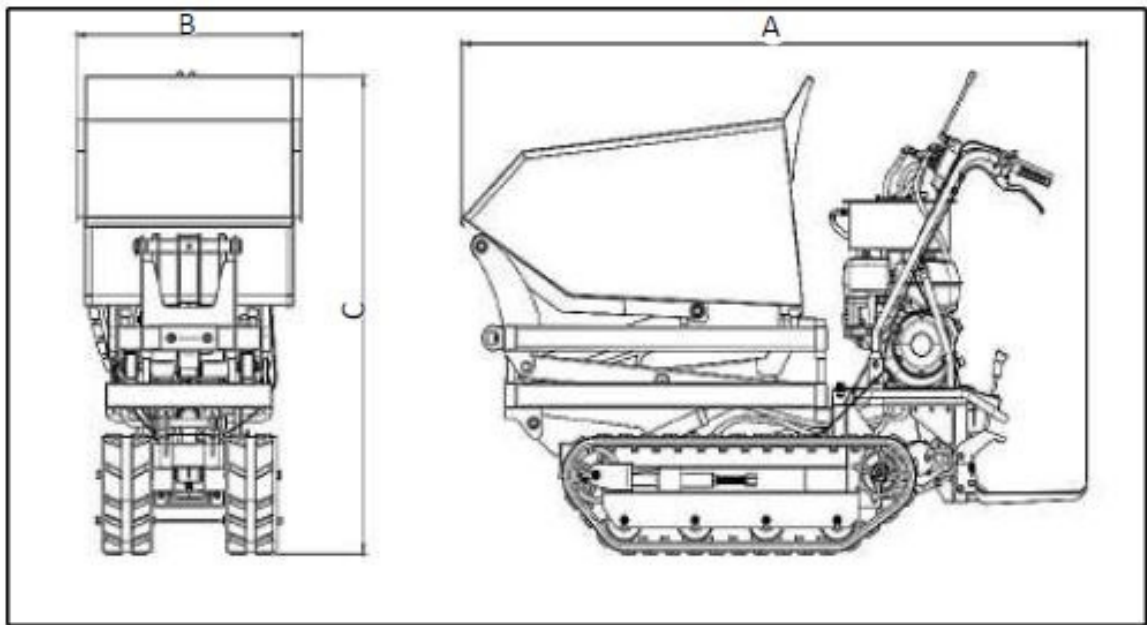


# Foison 500HT



## Crawler Mini Dumper

Model			Foison MD500HT	
Drive Train	Clutch	-	Driven Pulley	
	Steering Mechanism	-	Lever	
	Track Width	mm	178	
	Transmission Oil Capacity	litre	2	
	Gearbox Shift Position	-	3F, 1R	
Hydraulic System	Hydraulic Pump	Type	-	Gear Pump
		Max Speed	rpm	3000
		Working Pressure Max	kg/cm <sup>2</sup> (psi)	210 (3000)
	Hydraulic Fluid Capacity	litre	8	
	Tipping Cylinder Bore Size	mm	55 x 35	



Model		Foison MD500HT 702.02.00000		
Machine Weight	kg	406		
Maximum Payload	kg	500		
Dimensions	A - Overall Length	mm	2203	
	B - Overall Width	mm	789	
	C - Overall Height	mm	1479	
	Bucket Size	(W x L x H) mm	789 X 1288 X 733	
	Ground Clearance	mm	192	
	Step Height	mm	190	
Engine	Model	-	VWM 9.0	GX270
	Engine Type	-	Vibtech V-Power VWM 9.0 (9.0HP)	OHV single-cylinder, 4 stroke (8.5HP)
	Displacement	cc	270	
	Compression Ratio	-	8.5 : 1	
	Max Revolutions per minute	rpm	3600	
	Torque	-	19.1 Nm/1.94 kgfm/2500 rpm	
	Fuel Tank Capacity	litre	5.3 liters	
	Fuel Consumption	-	2.4 lt/h @ 3600 rpm	2.5 lt/h @ 3600 rpm
Performance	Speed	Forward 1	km/h	2
		Forward 2	km/h	3
		Forward 3	km/h	5
		Reverse	km/h	2