

DCC-15/9C-3S4 Electric High-Pressure Washer



Model	DCC-15/9C-3S4
Max Pressure	152 Bar / 2200psi
Max Flow	9.22 lpm / 2.44 gpm
HIGH PRESSURE PUMP	
Pump Model & Type	DBC-1512C, Triplex
Head Material	Brass Forged
Pump Features	Built With Thermal Protection and Detergent Injector
POWER AND TYPE	
Power	3 Kw / 18.4 Amps
Voltage	220V / 50Hz, 1450rpm
ACCESSORIES INCLUDE	
Pressure Gun & Lance	Trigger Gun, 20" Stainless Steel Lance, M22 X 1/4"QD
Pressure Hose	ID 5/16" (8mm) x 30FT (10m), Steel Braided
Nozzle	5 Tips 1/4"QD Nozzle, 0°, 15°, 25°, 40°And Soap Nozzle
Weight	55 Kgs
Size	71x42.5x47.5 cm

Note:

1. Must use



MCB 32A is applicable to electric circuits with rated voltage 230/400VAC, frequency 50Hz and rated current up to 32Amps.

2. Extension wire must use Neoprene Cables 3x4mm² (up to 20 meters). Refer cable size rating tables in Amps.

Cable Size	Rating in Amps
2.5mm	13.5
4.00mm	17.5
6.00mm	23.5
10.00mm	32.0

Warranty Service:

- Six (6) months for the original invoice date
- Warranty is applied to products that have been, always, properly maintained and operated or used under normal operating conditions for which the product was designed.
- The manufacturer warrants this product due to defective materials or workmanship.

Option Accessories:

Wire Steel Hose / High Pressure Hose



Item Code	Description	
HPH10M-5/16	5/16" High Pressure Hose 10 meter with connector (Max. 4310PSI)	
HPH15M-5/16	5/16" High Pressure Hose 15 meter with connector (Max. 4310PSI)	
HPH20M-5/16	5/16" High Pressure Hose 20 meter with connector (Max. 4310PSI)	
HPH-5/16	5/16" High Pressure Hose (Max. 4310PSI)	

Stand Wand Assy



Item Code	Description	Price
SDWD-20"	Stand Wand Assy (4000PSI) M22 Male x 1/4" QD	

5000psi High Pressure Gun with Handle Assy



Item Code	Description	Price
HPG-07WG	5000PSI High Pressure Gun with handle Assy	

6 in 1 Changeover Nozzle

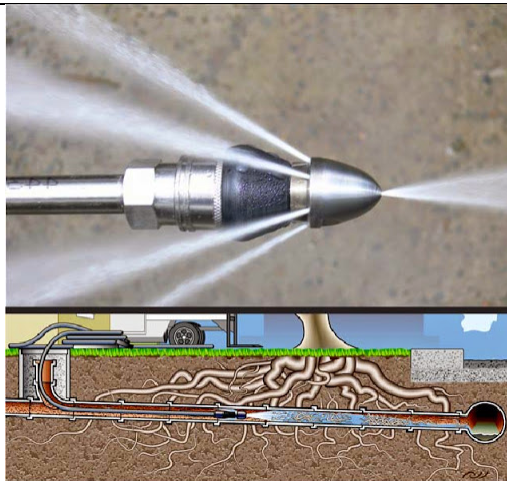
--



Max Pressure: 3600psi/248bar
 Max Temp.: 60°C/140°F
 Main Material: Stainless steel
 Inlet Fitting: 1/4" Quick Connect



Item Code	Description	
61NZ-AL	6 IN 1 CHANGEVER NOZZLE	

Sewer Nozzle



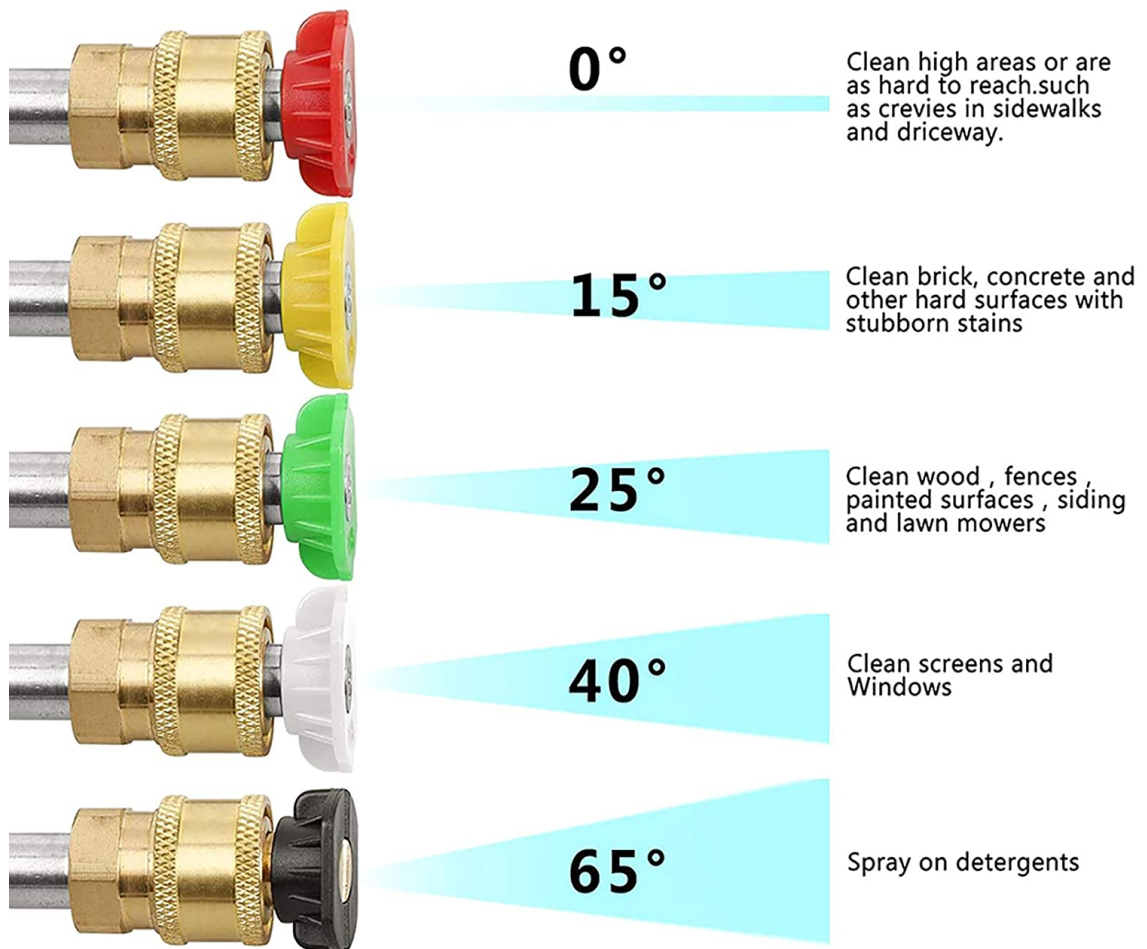
1. Standard 1/4" quick connect, easy to connect to hose or rod.
2. One 0° front nozzle clear the blockage, six 30° back nozzles flush out debris loosened by the front nozzle.
3. Pressure up to 5000psi

4. The rear port drives the nozzle forward and flushes the debris, while the front port rushes in and breaks up the blockage and debris.
5. It is suitable for general water pipe flushing and cleaning. It has good cleaning effect and cleans the blocked soft sewers, such as oil stone, fine sand, fine gravel, and general waste.

Item Code	Description	
PWNZ-D06G14	Nozzle 78B, Size:G1/4" – 0.6mm (1 Forward & 6 Rear Holes) 	
PWNZ-E06G14	Nozzle 78B, Size:G1/4" – 0.6mm (1 Forward & 3 Rear Holes) 	

Quick Coupler Spray Nozzle

--



Max Pressure: 275bar/4000psi
 Nozzle Orifice: 2.0-10(gpm rate)
 Max Temp.: 60°C/140°F
 Main Material: Stainless steel
 Inlet Fitting: 1/4" Quick Connect

Item Code	Description	
10H248-19	0° Nozzle – Red	
10H248-20	15° Nozzle – Yellow	
10H248-21	25° Nozzle – Green	
10H248-22	40° Nozzle – White	
10H248-22-1	Soap Nozzle - Black	
10H248-19A	Nozzle Kit Set (5pc/set)	