

# Floor Grinding Machine with Vacuum



## PRODUCT FEATURE

Grinding concrete/epoxy floor/ solidified floor/ terrazzo floor /granite floor /natural marble floor /diamond abrasion resistant floor /self-levelling cemented,  
places requiring surface treatment  
Removal of paint, epoxy, glue and other coatings from concrete  
Preparation of concrete for installation of new flooring/coating  
Elimination of irregularities in concrete  
Repair of damaged concrete  
Renovation works

## PRODUCTION USE

Milling the surface of the road and bridge, Removing the asphalt,  
Removing the concrete of the old ground, Remove the surface coating,  
paint, a variety of traffic markings, ground damage, dirt needs  
renovation, the removal of the old floor surface.

<b>Model</b>	<b>FG-350EVS</b>	<b>FG-400EVS</b>
Motor	Single Phase	Single Phase
Number of Blade	5pcs 4" Diamond Grinding Wheel	6pcs 4" Diamond Grinding Wheel
Voltage	230V	230V
Grinding Motor Power	4 Kw	4 Kw
Vacuum Motor Power	1.8kw	1.8kw
Working Width	350mm	400mm
Work efficiency	150 square meters/hour	180 square meters/hour
Weight	150 kg	160 kg

**Note: Extension wire must use Neoprene Cables 3x6mm<sup>2</sup> (up to 50 meters) and must connected to Isolator switch.**

**Warranty Service:**

- Three (3) months for the original invoice date
- Warranty is applied to products that have been, always, properly maintained and operated or used under normal operating conditions for which the product was designed.
- The manufacturer warrants this product due to defective materials or workmanship.

**Option Accessories:**

**4" Diamond Floor Grinding Wheel (Arrow Type)**

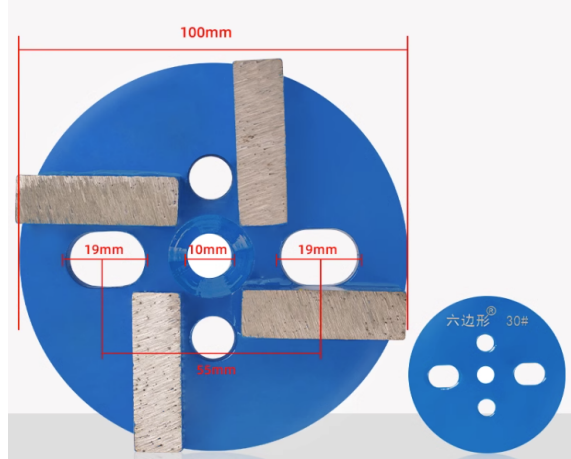


**Item Code: DCW-04308-A**

Application: Epoxy floor

Grint: #08

## 4" Diamond Floor Grinding Wheel



**Item Code:**

Application: Angle Granite, Stone, Marble, Masonry Concrete, paint ground

Grit: #08 - #120

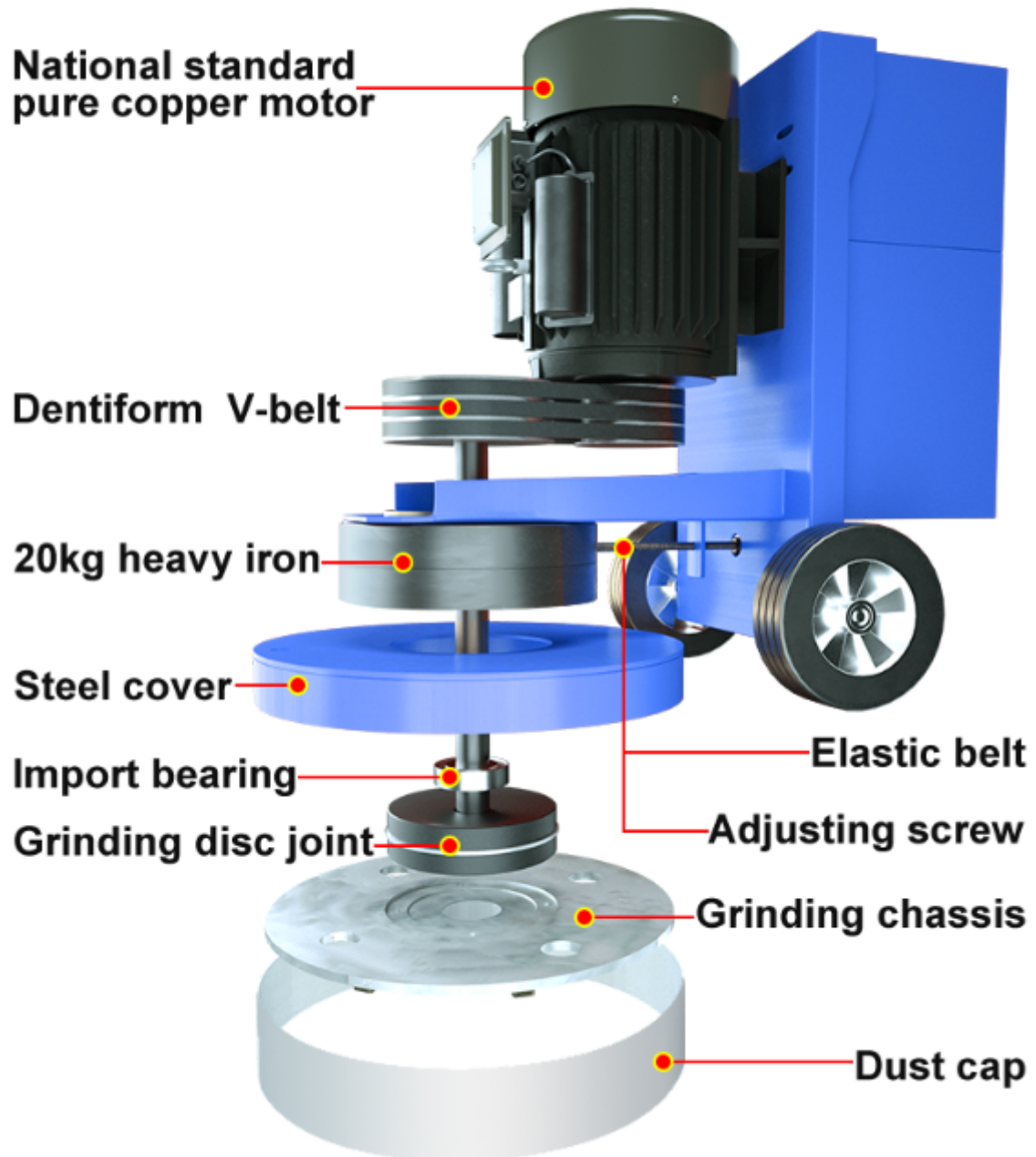
## 4" Diamond Floor Grinding Wheel



**Item Code:**

Application: Angle Granite, Stone, Marble, Masonry Concrete, paint ground

## Product Details





⊗ Before upgrading



Old dust collection box

60 second disassembly  
Time-consuming and laborious

unload  
time

Two handed carrying  
It's a bit difficult

Portable  
degree

No walking wheel  
Irreversibility

Effort saving  
move

✓ After upgrading



Quick disassembly  
Dust collection box

1 second disassembly  
Save time and effort

One handed carrying  
Convenient and fast

Wheeled ash hopper  
Easy to move



Automobile grade V-belt,  
never break.



High-precision imported bearing  
high-speed and stable construction

weight iron distribution  
Increase the dead weight of the machine  
Ensure the smooth grinding

# SANDING DIFFERENT FLOORS

## CHANGE TO DIFFERENT GRINDING TOOLS

|||



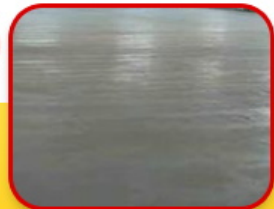
Sanding the cement floor



Steel plate derusting



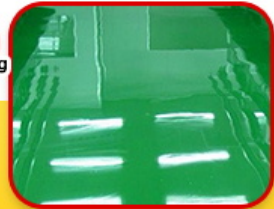
Floor paint removal



Ground grinding



Floor paint removal



Floor polishing

# Epoxy Floor Process



**Grind Flat** ➤ **Fine Ground** ➤ **Paint** ➤ **Polishing**

**Basic process:** Grinding with epoxy grinding wheel -> grinding with sandpaper -> polishing with resin abrasive disc

## Grinding Cement Floor

① **Good ground: Grinding with grinding stone**



② **Uneven ground: Grinding with a diamond grinding block**



③ **Undulating ground: Use the diamond cup wheel for basic grinding**



④ **Remove the old paint floor: Use with an arrow-type epoxy grinding wheel**



