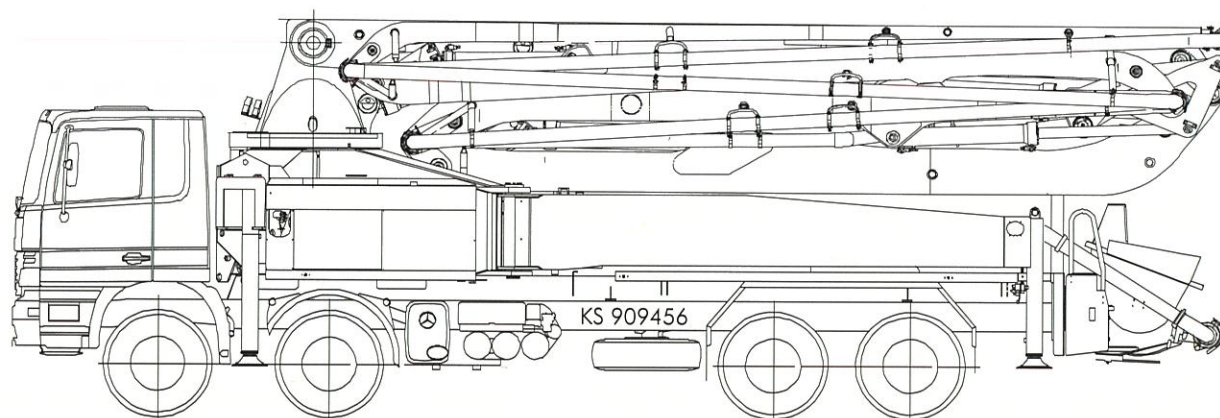
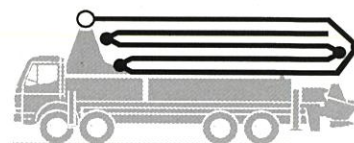


Truck-mounted concrete pump

BSF 46.14 H

Output up to 140 m³/h
Delivery pressure up to 112 bar



Technical Data

Boom M46-5		
Reach height	m	45.1
Horizontal reach	gross m	41.1
	net m	38.2
Reach depth max.	m	32.2
Unfolding height	m	9.3
End hose length	m	4
Number of arms	5	
Folding system	Roll-Z-folding(RZ)	
Delivery line	DN 125/5.5	

Pump		BSF	.14 H
Rod side	Output	m ³ /h	140
	Delivery pressure	bar	70
	Strokes	1/min.	27
Piston side	Output	m ³ /h	88
	Delivery pressure	bar	112
	Strokes	1/min.	17
	Delivery cylinder	ømm	230
	Strokes	mm	2100

Delivery line boom max.85 bar.
All data maximum theoretical.

