



CB Series



SANY HEAVY INDUSTRY CO., LTD.

Sany Industrial City, Changsha Economic and Technological Development Zone, Hunan Province, China
Zip: 410100
Fax: 0086-731-85835199 Enquiry and Complaint Telephone: 0086-4006098318

Warm reminder:
As the technology is constantly updated, technical parameters and configurations are subject to change without prior notice.
The machine on the picture may include additional equipment, this album is for reference only, subject to the actual.
The copyright belongs to SANY Heavy Industry, and no part of this catalog may be reproduced or copied for any purpose without SANY Heavy Industry's written permission.

© China print Apr. 2025 edition



Scan the QR code to follow
the WeChat Official Account of
SANY Road Machinery

V.20250409

SANY®

SPECIFICATION



Road roller STR/SZR30C-8

QUALITY CHANGES THE WORLD

www.sanyglobal.com

Product Highlights

Fast compaction

- ◆ **Fast vibration:** 67Hz high-frequency vibration. Compaction efficiency is 20% higher than the industry average;
- ◆ **Fast running:** The compaction speed is 11km/h, 10% faster than the industry average;
- ◆ **See clearly:** The edge of the drum protrudes 120mm, and the edge compaction is more efficient and smoother.

High operational capability

- ◆ **Can traverse mountains and valleys:** The 28kW engine is equipped with dual low-speed high-torque motors, and it can climb slopes of up to 30% during vibration;
- ◆ **Capable of enduring extreme cold and heat:** With an optimal power and hydraulic system match, it ensures normal compaction operations within the temperature range of -20°C to 45°C;
- ◆ **365 days non-stop operation:** The unique wheel rim thickening design and vibration bearing waterwheel lubrication technology enable it to operate uninterruptedly throughout the year.

Easy to operate

- ◆ **Impact-free driving:** Flexible start-stop technology ensures impact-free travel, good driving experience and smoother compacted road surface;
- ◆ **Easy to operate:** The left and right sides are equipped with control joysticks, which makes it easier to compact the edge;
- ◆ **One step to solve the asphalt adhesion issue:** By stepping on the switch, maximum-flow water spraying can be achieved to quickly wet the drum, thus preventing asphalt from sticking.

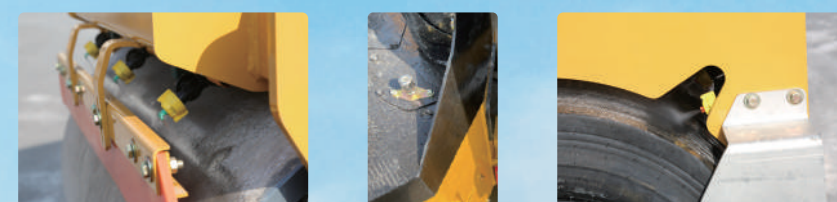


STR/SZR30C-8

Road roller
CB Series

Intelligent spraying technology

- ◆ Twelve-gear intelligent sprinkler control, allows for selection according to needs, enabling an effective water-saving of up to 50%;
- ◆ The fast sprinkler system can achieve maximum flow watering through the foot switch to quickly wet the surface of the drum;
- ◆ The combination machine is equipped with a quick oil sprinkler switch to prevent the tires from sticking to asphalt.



Soft start-stop control technology

- ◆ The flexible start-stop technology is adopted to achieve impact-free starting and stopping, and the road surface is compacted more smoothly.



The most reliable drum structure

- ◆ The unique thickened rim design improves the wear resistance of the roller rim during edge compaction;
- ◆ Vibration bearing waterwheel lubrication technology ensures that the life of the vibration bearing is greater than 10,000 hours.



Comfortable ergonomic design

- ◆ Double travel joysticks are equipped, enabling comfortable and fatigue-free edge compaction operations on both the left and right sides;
- ◆ User-friendly design, equipped with water cup holder, mobile phone storage compartment, a fast charging port, etc. to meet customer needs;
- ◆ The edge of the drum protrudes 120mm from the frame, making edge compaction more efficient and safer.



Economic value analysis

"Cash value" roller, creating an additional value of RMB 24,000 for customers every year (2+0.2+0.2)

- ◆ With 67Hz high-frequency vibration and a construction speed of 11km/h, it achieves 20% higher compaction efficiency compared to peers. Assuming an annual average profit of RMB 100,000 in the industry, our company can make an additional profit of approximately RMB 20,000.
- ◆ The edge of the drum is thickened, and the edge compaction is more wear-resistant. Its service life is twice as long as that of the industry average, which can save about RMB 2,000 in maintenance costs each year.
- ◆ The double-joystick design makes the start and stop smoother, the operation more comfortable and simple, with low requirements for operating skills, which can save about RMB 2,000 in labor costs each year.

Product Optional Configuration

Item	Description of optional parts
Canopy	Used for sun and rain protection

*: The above features are optional and priced separately.

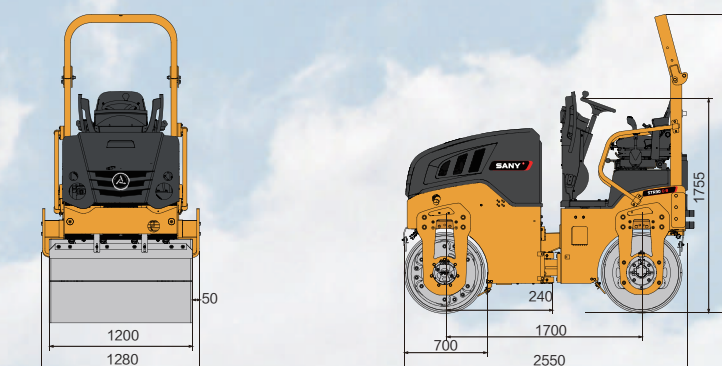
Service environment of product

- ◆ Altitude: ≤2,000m
- ◆ Temperature: -20°C ~ 45°C
- ◆ Gradient: ≤30%

Product Parameters

Overall Dimensions

The following are standard configuration measurement values; actual values may vary depending on optional components.



Unit: mm

Item	STR30C-8 (Tandem Roller)	SZR30C-8 (Combination Roller)
Operating mass of machine (kg)	3000	2900
Front and rear load distribution (kg)	1450/1550	1400/1500
Static linear pressure (N/cm)	118/126	118/490(kPa)
Vibration frequency (Hz)	55/67	55/67
Amplitude (mm)	0.5	0.5
Exciting force (kN)	28/46	28/46
Drum diameter/width (mm)	700/1200	700/1200
Theoretical vibration gradeability (%)	30	30
Engine brand and model	Yanmar 3TNV88-BD1YC	Yanmar 3TNV88-BD1YC
Emission stage	Stage III	Stage III
Rated power/speed (kW)	28.1	28.1
Fuel tank volume (L)	40	40

