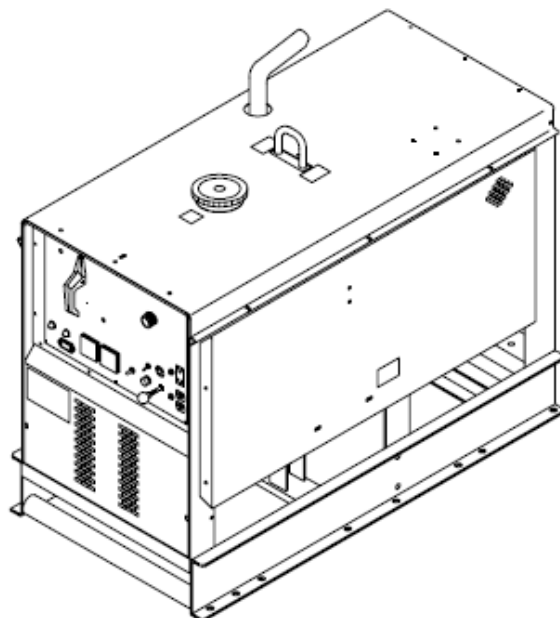


Big Blue[®] 600DX



Weld, Power, And Engine Specifications

Welding Mode	Weld Output Range	Rated Welding Output	Maximum Open-Circuit Voltage	Auxiliary Power Rating	Engine	Fuel Capacity
CC/DC	45 – 600 A	600 A, 30 Volts DC, 40% Duty Cycle	95 (88 in CC mode on units with CV)	Single-Phase, 3 kVA/kW, 25 A, 120 V AC, 60 Hz	Deutz F3L-912 Air-Cooled, Three-Cylinder, 41.5 HP Diesel Engine	23 gal (87 L)
CV/DC (Optional)	14 – 38 V	400 A, 36 Volts DC, 100% Duty Cycle	48			