

BK-OMKT20 Big Mobile Industrial Ventilador Fan

The series of fan diameters up to 2.0 meters can be used in gyms, gymnasiums, basketball halls, logistics and warehousing, etc. The whole machine is patented and uses the latest developed wing blades to output large and stable air volume, which is light and flexible. Provide perfect ventilation and cooling service anytime, anywhere

Functions

1. Large area of the breeze air blowing full range of air flow
2. Strengthen the environment ventilation.
3. Combine using with evaporative air-conditioning , in a certain sense , air conditioning can be replaced.
4. Ventilation , drying dehumidification , environmental smoke & dust extraction.
5. Winter heating , make full use of big buil dings top waste heat , energy saving.

Application

Sports field, industrial field, gym, playground and so on.

Features: High Efficiency



PMSM permanent magnet synchronous motor drives the fan blade, VFD stepless speed regulation, the operation is simple and convenient.

Water Proof

PMSM Gearless motor is more precise, the motor is fully sealed, so that it can meet the IP55 protection standard, to different outdoor environment.

Easy Movable & Free installation

The fan has casters that can move freely, which can adapt to the changing requirements of the workplace. The whole fan is modular design, which is flexible to install. Unpack the package, directly connect power use, free man labor & installation.

Free Maintenance

Using electromagnetic induction principle, double bearing transmission, completely sealed, truly achieve motor maintenance free.

Energy Saving

Using PMSM permanent magnet synchronous motor, the motor efficiency is up to 84% by STIEE detection. Reach the national energy efficiency 1st. class standard.

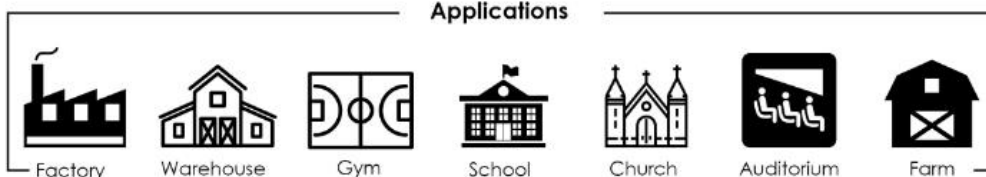
Money Saving

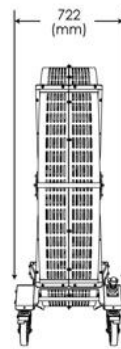
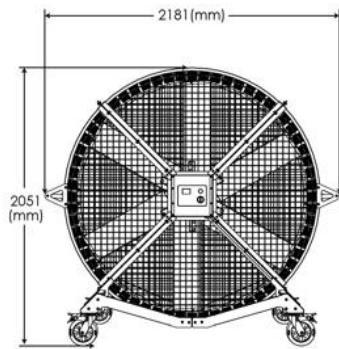
The traditional asynchronous motor reducer fan needs to change the gear oil regularly. Using PMSM motor, it can save more money money in the long term!



Diameter 2.0M height	Motor PMSM gearless motor	Safety Protection level IP55, overall waterproof, can run normally in rainy and humid	Maintenance Motor free maintenance Up to 10 years life span
-------------------------	------------------------------	--	---

Applications

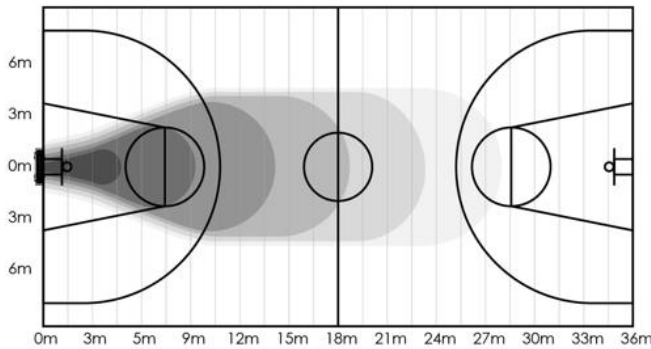




Digital Smart Controller
LCD Display
Real-time Monitoring



Technical Specifications	
Model	BK-OMKT20
Size	2181mm*2051mm*722mm
Max Speed	270r/min
Wind Range	0-28(7m/s-1.5m/s)
Motor	PMSM
Motor Power	0.55kW
Voltage	220V/IP
Full-loaded Current	1.7A
Noise Level	43dBA
Weight	176KG



2.0 series can produce strong Wind , the effective air supply distance is more than 28 meters , coverage area can be across the semi solid basketball court . Not only in the large factory workshop channel has a very good performance , it can change position at any time according to the needs of work , so it can also be used in commercial venues and sports centers.

*The distance of air supply exceeds the length of the whole basketball court, reaching more than 28m; within the distance of 28m, the wind speed ranges from 7m/s to 1.5m/s (the farther the distance is, the lower the wind speed is).
*This data is measured under the maximum speed of the motor, the motor is stepless speed regulation, and the speed range is 0-270rpm.

Designs		
Airfoils	Motor and drive	Standard Controller
6 patented powerful airfoils Winglets eliminated wind noise	PMSM gearless motor efficiency rated IP55	Rated IP55 On/Off and stepless speed control LCD Display Operation status real-time monitoring

Price : 4200.00

Lead Time : 30-45days

Warranty	<ul style="list-style-type: none"> • 3 month from date of delivery against manufacturing fault. • Warranty does not cover any damage caused as a result of improper use, abuse, modification or alteration of the product.
----------	--

