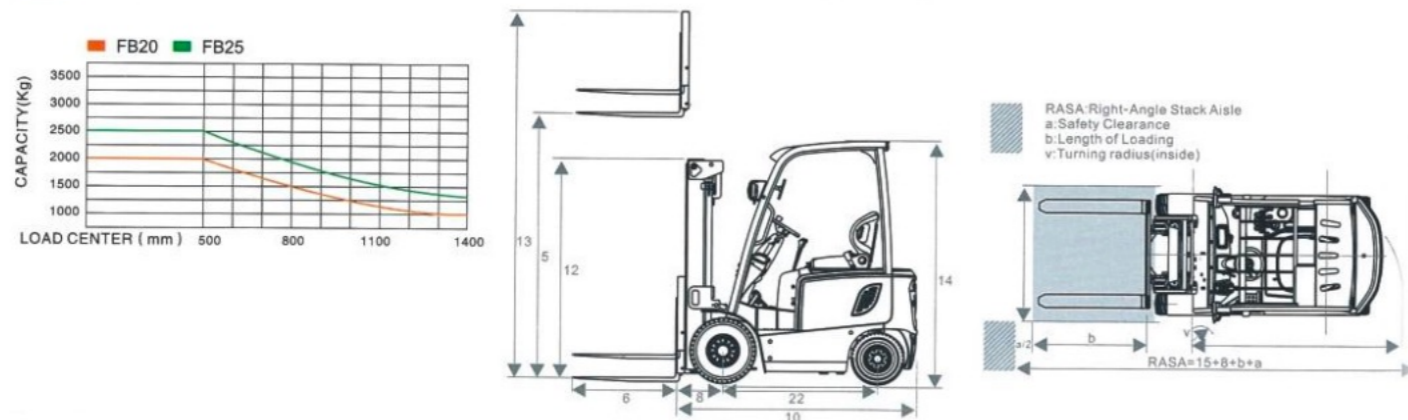


2.0-2.5 TON 4-WHEEL ELECTRIC FORKLIFT

1		Model		FB20	FB25		
General	2	Power Type		Electric	Electric		
	3	Rated Capacity		kg	2000	2500	
	4	Load Centre		mm	500	500	
	5	Lift Height		mm	3000	3000	
Characteristic & Dimension	6	Fork Size	L×W×T	mm	1070*120*40	1070*120*40	
	7	Mast Tilt Angle	F/R	Deg	6°/12°	6°/12°	
	8	Front Overhang (Wheel Center to fork face)		mm	465	465	
	9	Tread	F/R	mm	960/950	960/950	
	10	Ground Clearance (Bottom of mast)		mm	110	110	
	11	Fork Spread	Min./Max.		240/1020	240/1020	
	12	Overall Dimension	Length to face of fork(Without fork)		mm	2360	2360
	13		Overall Width		mm	1160	1160
	14		Mast Lowered Height		mm	2070	2070
	15		Mast Extended Height(With backrest)		mm	4020	4020
	16	Overhead Guard Height		mm	2240	2240	
	17	Turning Radius(outside)		mm	2075	2075	
	18	Min. insecting aisle		mm	2250	2250	
	Performance	19	Speed	Travel(Empty load)	km/h	15	15
20		Lifting(Full load)		mm/s	300	270	
21		Max. Gradeability		%	15	15	
Chassis	22	Tire	Front		7.00-12-12PR	7.00-12-12PR	
	23		Rear		18*7-8-14PR	18*7-8-14PR	
	24	Wheel Base		mm	1510	1510	
25	Service Weight		kg	4170	4410		
Power & Transmission	26	Motor	Drive Motor	kw	11	11	
	27		Lift Motor	kw	8.6	8.6	
	28	Battery	Voltage/Capacity	V/Ah	48/560	48/630	
	29	Controller	Manufacturer		CURTIS	CURTIS	
	30		Type		AC	AC	
	31	Operating Pressure for Attachment		Mpa	17.5	17.5	



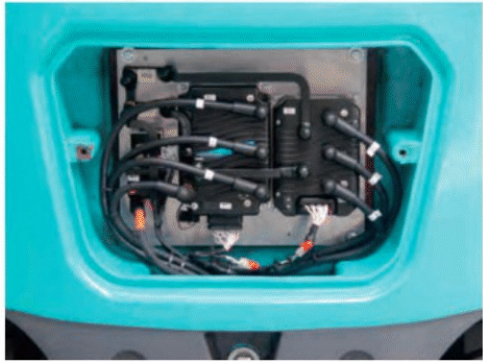
2.0-2.5 TON 4-WHEEL ELECTRIC FORKLIFT MAST

Type	Model	Lift Height (mm)	Load Capacity(kg)		Overall Height(mm)			Free Lift(mm)		Tilt Angle
					2.0-2.5t		2-2.5t			
			2.0t	2.5t	Mast Lowered	Mast Extended		Mast Extended		F/R(deg)
Wide view 2-stage mast	M200	2000	2000	2500	1570	3050	2620	-	-	6/12
	M250	2500	2000	2500	1820	3550	3120	-	-	6/12
	M300	3000	2000	2500	2070	4050	3620	-	-	6/12
	M330	3300	2000	2500	2220	4350	3920	-	-	6/12
	M350	3500	2000	2500	2320	4550	4120	-	-	6/12
	M370	3700	2000	2500	2420	4750	4320	-	-	6/12
	M400	4000	2000	2500	2570	5050	4620	-	-	6/12
	M450	4500	1800*1900	2150*2400	2820	5550	5120	-	-	6/6
	M500	5000	1600*1700	1700*2200	3120	6050	5620	-	-	6/6
	M550	5500	1550*1600	1550*1950	3370	6550	6120	-	-	3/6
Full free 2-stage mast	M600	6000	950*1500	1000*1800	3670	7050	6620	-	-	3/6
	Z200	2000	2000	2500	1570	3050	2620	530	875	6/12
	Z250	2500	2000	2500	1820	3550	3120	780	1125	6/12
	Z300	3000	2000	2500	2070	4050	3620	1030	1375	6/12
	Z330	3300	2000	2500	2220	4350	3920	1180	1525	6/12
	Z350	3500	2000	2500	2320	4550	4120	1280	1625	6/12
	Z370	3700	2000	2500	2420	4750	4320	1380	1725	6/12
	Z400	4000	2000	2500	2620	5050	4620	1880	2225	6/12
Full free 3-stage mast	S370	3700	2000	2500	1865	4750	4425	835	1160	6/12
	S400	4000	1900	2400	1965	5050	4725	935	1260	6/6
	S435	4350	1850*1900	2200*2400	2080	5370	5045	1050	1375	6/6
	S450	4500	1750*1800	2150*2300	2130	5520	5195	1100	1425	6/6
	S480	4800	1700*1800	1950*2300	2230	5820	5495	1200	1525	6/6
	S500	5000	1600*1750	1650*2250	2295	6020	5696	1265	1590	6/6
	S550	5500	1450*1700	1500*2150	2495	6520	6195	1470	1795	3/6
	S600	6000	950*1600	1000*1800	2665	7020	6695	1630	1955	3/6

**4-WHEEL
2.0-2.5Ton
ELECTRIC FORKLIFT**



先进的电气部件 High Quality Electrical Components



原装进口品牌控制器，经过专业调校，行走和提升控制精准高效，性能优异，具有再生制动、坡道制动和故障自我诊断等功能。
Original imported world famous brand controller. After professional adjustment, walking and upgrade control is precision and efficiency, excellent performance. The forklift with regenerative braking, ramp braking, fault self-diagnosis and other functions.

- > 进口品牌加速器
- > 进口电源接插器
- > AMP防水线束
- > 再生制动：叉车在减速、下坡、换向等工况下，行走电机转变为发电机，通过控制器给蓄电池反充电，高效节能。

舒适的操作空间 Comfortable Operating Space



符合人体工程学的全方位操作空间布局优化，为操作者营造良好、舒适、便捷的驾乘体验。
Ergonomic full-scale operation space layout optimization, which offers operator excellent, comfortable and convenient operating experience.

- > 倾斜油缸下沉设计
- > 倾角可调式小直径方向盘
- > 全包围仪表盘覆盖件
- > 右置液压操纵手柄和安全断电开关
- > 宽视野门架设计
- > 前后可调的包覆式座椅（调节范围可达150mm）

高效的驱动系统 Efficient Drive System



先进的H型横置驱动单元，结构紧凑，整车重心更低，布局更合理，车辆行驶更加稳定。

Advanced H-type remote drive unit, compact structure, lower gravity center, more reasonable layout, more stable driving.

- > 新型免维护交流电机，传动效率高，维护和保养成本低；

可靠的转向系统 Reliable Steering System



采用动态负荷传感型优先转向系统，使转向响应更加快速，行驶更加平稳。

Using dynamic load sensing priority steering system, steering response more quickly, driving more smoothly.

- > 车架与转向桥采用悬浮式连接
- > 特种橡胶垫有效缓冲减震

多元化的蓄电池侧移方案 Battery Side-take Function



全开式机罩、可快速拆卸的左右侧罩、铰链设计的车体侧门和采用先进设计理念的蓄电池更换方案，使蓄电池保养快速、便捷。

Fully open hood, it can quickly remove from both side. Hinge design frame side door. The using of advanced design concept of battery replacement program, gives fast and convenient maintenance.

- > 护顶架缺口吊装
- > 叉车侧面叉装
- > 辊道人工侧面拖出

