



CPCD30

Diesel

Pneumatic Tire Forklifts



Model	Capacity @ 500 mm LC	Fuel Type	Engine
CPCD30	3,000 kg	Diesel	Xinchai A490BPG / 2.54 L
CPCD30	3,000kg	Diesel	ISUZU C240PKJ/2.4L

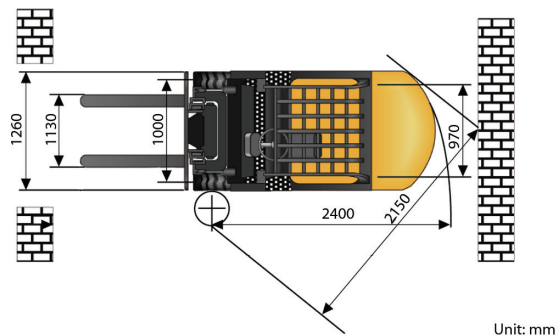
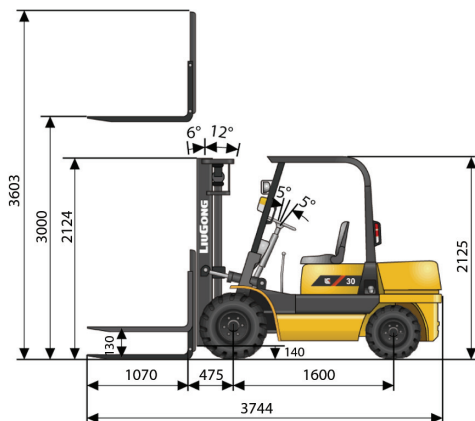


CPCD30

Diesel • Pneumatic Tire Forklifts



General	1	Model			CPCD30	CPCD30	
	2	Power Type			Diesel	Diesel	
	3	Base Capacity	@ rated load center	kg	3,000	3,000	
	4	Load Center		mm	500	500	
Weights	5	Service Weight	unloaded	kg	4,360	4,360	
	6	Axle Load	loaded / unloaded, front	kg	6,610 / 1,850	6,610 / 1,850	
	7		loaded / unloaded, rear	kg	770 / 2,530	770 / 2,530	
Tires	8	Tire Type			Pneumatic	Pneumatic	
	9	Wheels	front / rear		2 / 2	2 / 2	
	10	Wheelbase		mm	1,600	1,600	
	11	Tire Size	front		28X9-15-12PR	28X9-15-12PR	
	12		rear		6.50-10-10PR	6.50-10-10PR	
	13	Tread Width	front / rear		1,000 / 970	1,000 / 970	
Mast	14	Max. Fork Height	with std 2-stage mast	mm	3,000	3,000	
	15	Freelift	with std 2-stage mast	mm	135	135	
	16	Height, Upright Lowered	with std 2-stage mast	mm	2,124	2,124	
	17	Height, Upright Extended	with std 2-stage mast	mm	3,603	3,603	
	18	Mast Tilt, Fwd/Back	with std 2-stage mast	deg	6° / 12°	6° / 12°	
	19	Carriage	width	mm	1,100	1,100	
	20	Fork Spread	minimum / maximum	mm	244 / 1,080	244 / 1,080	
	21	Fork Dimensions	T x W x L	mm	45 x 122 x 1070	45 x 122 x 1070	
Chassis	22	Length to Fork Face	with std 2-stage mast	mm	2,674	2,674	
	23	Overall Width		mm	1,266	1,266	
	24	Overhead Guard Height		mm	2,125	2,125	
	25	Turning Radius	minimum outside	mm	2,400	2,400	
	26	Fork Overhang	with std 2-stage mast	mm	496	496	
	27	Right Angle Stack	add load length and clearance	mm	2,150	2,150	
	28	Ground Clearance	minimum loaded	mm	130	130	
	29		center of wheelbase	mm	140	140	
Performance	30	Travel Speed	loaded / unloaded	kph	18.5/19	18.5/19	
	31	Lift Speed	loaded / unloaded	m/s	0.4 / 0.45	0.4 / 0.45	
	32	Lower Speed	loaded / unloaded	m/s	0.46 / 0.4	0.46 / 0.4	
	33	Max. Drawbar Pull	loaded	kg	1,780	1,780	
	34	Max. Gradeability	loaded / unloaded	%	18 / 20	18 / 20	
Systems	35	Brakes	service		Foot / Hyd	Foot / Hyd	
	36		parking		Hand / Mech	Hand / Mech	
	37		manufacturer		Xinchai	ISUZU	
	38	Engine	model		A490BPG	C240PKJ	
	39		emission compliance		China Tier II	China Tier II	
	40		cylinders		4	4	
	41		displacement		2.5	2.4	
	42		rated power		kW/rpm	36.8 / 2,650	34.5 / 2,500
	43		max. torque		Nm/rpm	148 / 1,900	139 / 1,800



Unit: mm

Specifications and designs are subject to change without notice. Machines shown may include optional equipment.

Guangxi Liugong Machinery Co., Ltd.
 No. 1 Liutai Road, Liuzhou, Guangxi 545007, PR China
 T: +86 772 3886124 E: overseas@liugong.com
 www.liugong.com